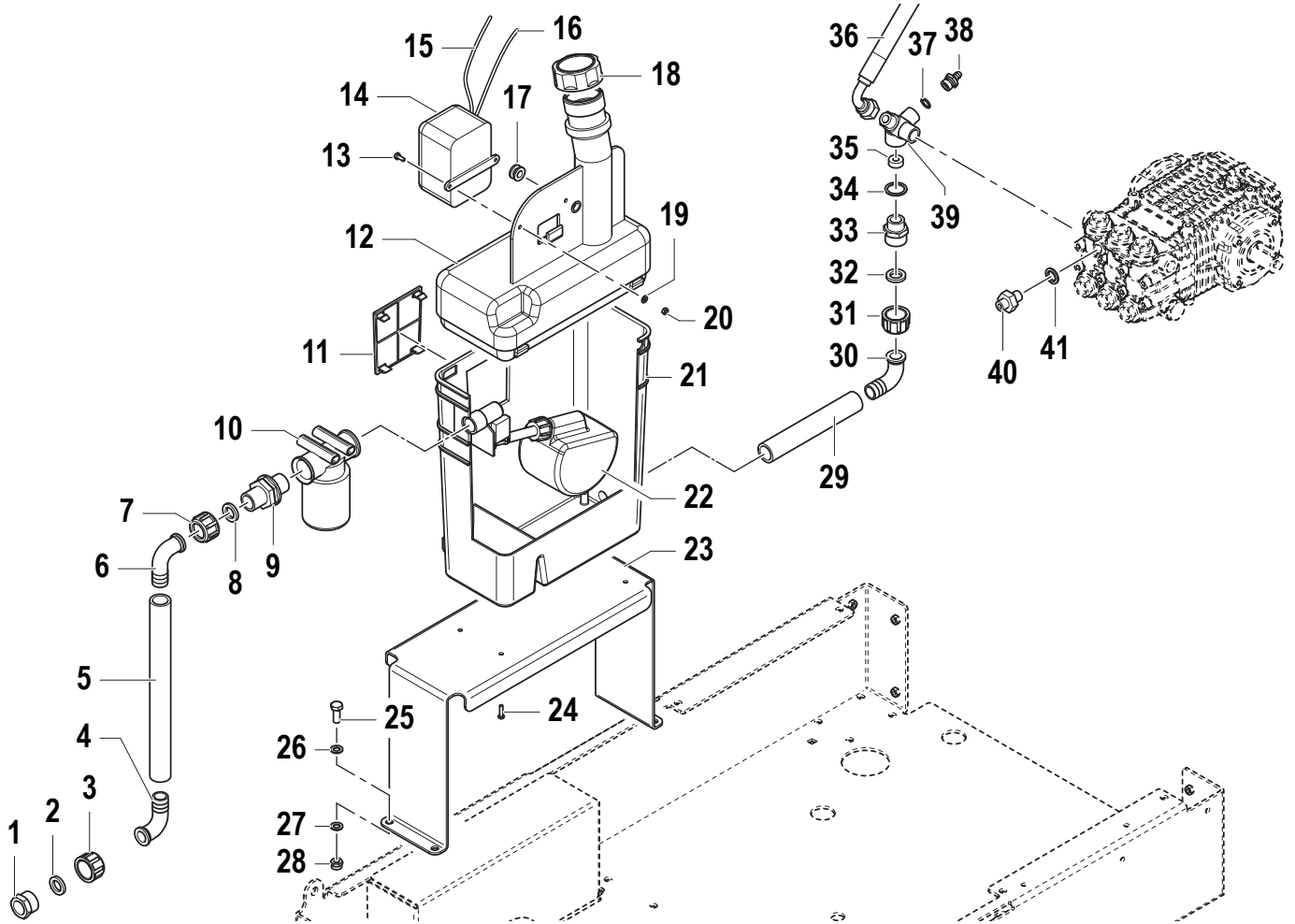




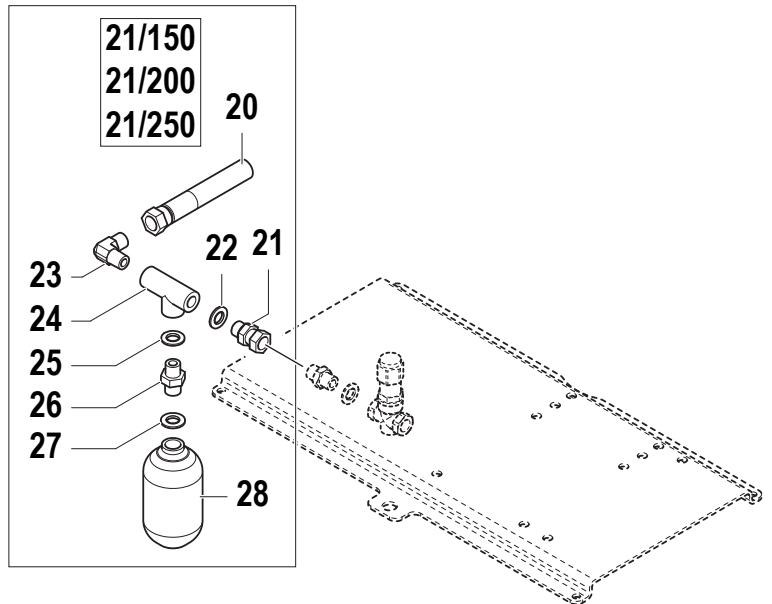
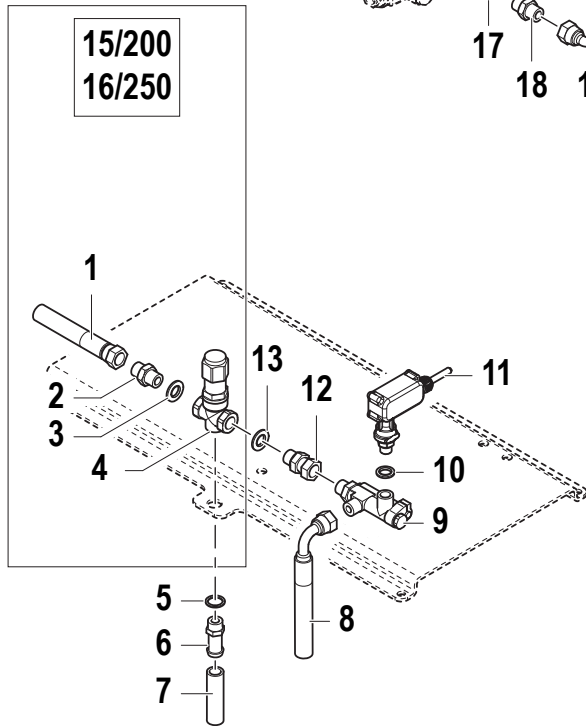
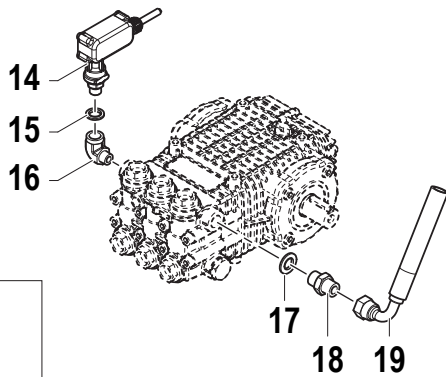
| N° | Cod. | Descrizione | Description | Note | Q.ty | Model |
|----|-----------|-----------------------|--------------------|---------------------|------|--------------------------------|
| 1 | 0477 0460 | Carenatura Superiore | Upper Cover | | 1 | |
| 2 | 3002 0641 | Supporto Lancia | Lance Support | | 2 | |
| 3 | 3609 0221 | Vite | Screw | M5x20 | 2 | |
| 4 | 1818 0058 | Maniglia | Handle | | 1 | |
| 5 | 3605 0153 | Vite | Screw | M6x10 | 1 | |
| 6 | 2431 0004 | Pomello | Knob | M6x15 | 2 | |
| 7 | 3605 0153 | Vite | Screw | M6x10 | 10 | |
| 8 | 3609 0068 | Vite Maniglia | Handle Screw | M6x12 | 2 | |
| 9 | 0477 0461 | Carenatura Principale | Main Cover | | 1 | 15/200-21/150 21/200-16/250 |
| | 0477 0470 | Carenatura Principale | Main Cover | | 1 | 21/250-18/350 30/200 |
| 10 | 3607 0195 | Vite | Screw | M10x20 | 2 | |
| 11 | 3607 0274 | Vite | Screw | M10x40 | 4 | |
| 12 | 2811 0234 | Rondella | Washer | | 4 | |
| 13 | 1831 0600 | Motore Elettrico | Electric Motor | 7,5CV 400V | 1 | 15/200-21/150 |
| | 1831 0598 | Motore Elettrico | Electric Motor | 10CV 400V | 1 | 21/200-16/250 |
| | 1831 0599 | Motore Elettrico | Electric Motor | 12CV 400V | 1 | 21/250-21/250 |
| | 1831 0595 | Motore Elettrico | Electric Motor | 15CV 400V | 1 | 18/350 |
| 14 | 6410 0100 | Pompa | Pump | FW2 4030S | 1 | 15/200 |
| | 6410 0400 | Pompa | Pump | FW2 5522S | 1 | 21/150 |
| | 6517 1300 | Pompa | Pump | RW 5535S | 1 | 21/200-21/250 |
| | 6517 1400 | Pompa | Pump | RW 4040S | 1 | 16/250 |
| | 6513 0400 | Pompa | Pump | TW 4550S | 1 | 18/350 |
| | 6513 1415 | Pompa | Pump | TW 8030S | 1 | 30/200 |
| 15 | 3002 0861 | Supporto Motore | Motor Support | | 1 | |
| 16 | 2811 0234 | Rondella | Washer | | 4 | |
| 17 | 0604 0174 | Dado | Nut | M10x10 | 4 | |
| 18 | 0477 0458 | Carenatura Ruota | Wheel Cover | | 2 | |
| 19 | 3625 0095 | Vite | Screw | 4,2x13 | 8 | |
| 20 | 2000 0056 | Nipplo | Nipple | M-M G3/4-G1/2 | 1 | |
| 21 | 1803 0126 | Paraurti Frontale | Front Bumper | | 1 | |
| 22 | 2803 0256 | Raccordo | Coupling | M-F M22x1,5-G3/8 | 1 | |
| | 1407 0068 | Raccordo | Coupling | M-F M24x1,5-G3/8 | 1 | Solo/Only 18/350 |
| 23 | 2404 0215 | Piastra Inferiore | Lower Plate | | 1 | |
| 24 | 2431 0004 | Pomello | Knob | M6x15 | 4 | |
| 25 | 0604 0158 | Dado | Nut | M8 | 4 | |
| 26 | 2811 0108 | Rondella | Washer | Ø8,5x15x1,6 | 4 | |
| 27 | 3605 0071 | Vite | Screw | M8x40 | 4 | |
| 28 | 0017 0030 | Assale Ruota | Wheel Axle | | 2 | |
| 29 | 2000 0041 | Nipplo | Nipple | G3/8 | 1 | |
| 30 | 3208 1303 | Tubo | Hose | R2 G3/8 L=367 | 1 | |
| 31 | 2800 0522 | Raccordo | Straight Hose Tail | Ø13 G3/8M | 1 | |
| 32 | 1209 0091 | Rondella | Washer | G3/8 | 1 | |
| 33 | 0600 0051 | Dado | Nut | G3/8 | 1 | |
| 34 | 0604 0011 | Dado | Nut | M6 | 4 | |
| 35 | 2811 0097 | Rondella | Washer | | 4 | |
| 36 | 2811 0097 | Rondella | Washer | | 4 | |
| 37 | 3609 0086 | Vite | Screw | M6x35 | 4 | |
| 38 | 2810 0117 | Ruota | Wheel | | 2 | |
| 39 | 2812 0070 | Rondella | Washer | Ø20 | 2 | |
| 40 | 0009 0094 | Tappo Ruota | Wheel Cap | Ø20 | 2 | |
| 41 | 2812 0070 | Rondella | Washer | Ø20 | 2 | |
| 42 | 2812 0071 | Rondella | Washer | Ø20 | 2 | |
| 43 | 3607 0070 | Vite | Screw | M8x30 | 8 | |
| 44 | 2811 0108 | Rondella | Washer | | 8 | |
| 45 | 2810 0015 | Ruota Girevole | Rotating Wheel | Ø125x30 | 2 | |
| 46 | 2404 0216 | Piastra | Plate | | 2 | |
| 47 | 2811 0108 | Rondella | Washer | | 8 | |
| 48 | 0604 0158 | Dado | Nut | M8 | 8 | |
| 49 | 3206 0373 | Telaio | Frame | | 1 | |
| 50 | 0604 0158 | Dado | Nut | M8 | 4 | |
| 51 | 2811 0108 | Rondella | Washer | Ø8,5x15x1,6 | 8 | |
| 52 | 3607 0248 | Vite | Screw | | 4 | |
| 53 | 3208 1322 | Tubo | Hose | R2 G3/8 L=650 | 1 | |
| 54 | 2000 0041 | Nipplo | Nipple | G3/8 | 1 | |
| 55 | 1209 0091 | Rondella | Washer | G3/8 | 1 | |
| 56 | 3208 1302 | Tubo | Hose | R2 G3/8 L=430 | 1 | |
| 57 | 2000 0041 | Nipplo | Nipple | G3/8 | 1 | |
| 58 | 1209 0099 | Rondella | Washer | G3/8 | 1 | |
| 59 | 3208 1139 | Tubo | Hose | G3/8 L=700 | 1 | |
| 60 | 1211 0026 | Raccordo Curvo | Elbow Coupling | M-M G3/8 | 1 | |

| N° | Cod. | Descrizione | Description | Note | Q.ty | Model |
|-----|-----------|-------------------------------|---------------------------|-----------------|------|--------------------------------------|
| 61 | 1215 0645 | Kit Valvola Regolazione | Unloader Valve Kit | VRT3 | 1 | |
| 62 | 2421 0038 | Pressostato | Pressure Switch | G1/4 15bar | 1 | |
| 63 | 1211 0037 | Raccordo Curvo | Elbow Coupling | M-M G1/4 | 1 | |
| 64 | 0802 0027 | Kit Elettrovalvola Detergente | Solenoid Valve Kit | | 1 | |
| 65 | 3002 0862 | Supporto Quadro Elettrico | Electric Panel Support | | 1 | |
| | 3002 0873 | Supporto Quadro Elettrico | Electric Panel Support | | 1 | Solo/Only 18/350-30/200 |
| 66 | 3605 0071 | Vite | Screw | M8x40 | 4 | |
| 67 | 2610 0444 | Kit Quadro Elettrico | Electric Panel Kit | | 1 | |
| | 2610 0437 | Kit Quadro Elettrico | Electric Panel Kit | | | Solo/Only 21/250-18/350 30/200 |
| 68 | 3002 0759 | Supporto Manometro | Pressure Gauge Bracket | | 1 | |
| 69 | 1201 0174 | Rondella | Washer | Ø23,5x6x2 | 4 | |
| 70 | 3605 0153 | Vite | Screw | M6x10 | 4 | |
| 71 | 1816 0105 | Manometro | Pressure Gauge | Ø63 0-300bar | 1 | 15/200-21/150 21-200 |
| | 1816 0111 | Manometro | Pressure Gauge | Ø63 0-400bar | 1 | 16/250-21/250 30/200 |
| | 1816 0155 | Manometro | Pressure Gauge | Ø63 0-600bar | 1 | 18/350 |
| 72 | 0477 0459 | Carena Quadro Elettrico | Electric Panel Cover | | 1 | |
| 73 | 2826 0056 | Kit Rubinetto Detergente | Detergent Tap Kit | | 1 | |
| 74 | 3605 0114 | Vite | Screw | 5x16 | 4 | |
| 75 | 3605 0071 | Vite | Screw | M8x40 | 4 | |
| 76 | 0477 0457 | Carena Posteriore | Bottom Cover | | 1 | |
| 77 | 1407 0067 | Innesto Rapido | Quick Junction | G1/4M | 1 | |
| 78 | 1407 0066 | Innesto Rapido | Quick Junction | G1/4F | 1 | |
| 79 | 2803 0408 | Raccordo | Coupling | G1/4 Ø7 | 1 | |
| 80 | 2434 0022 | Pressacavo | Cable Holder | PG16 | 1 | |
| 81 | 3605 0156 | Vite | Screw | M6x20 | 4 | |
| 82 | 1227 0002 | Ghiera per Pressacavo | Ring Nut for Cable Holder | PG16 | 1 | |
| 83 | 2803 0688 | Raccordo | Coupling | G1/4 Ø7 | 1 | |
| 84 | 0604 0158 | Dado | Nut | M8 | 4 | |
| 85 | 2811 0108 | Rondella | Washer | Ø8,5x15x1,6 | 4 | |
| 86 | 1803 0125 | Supporto Quadro Elettrico | Electric Panel Support | | 2 | |
| 87 | 2811 0026 | Rondella | Washer | Ø8,4x24x2 | 4 | |
| 88 | 0604 0158 | Dado | Nut | M8 | 4 | |
| 89 | 0604 0158 | Dado | Nut | M8 | 4 | |
| 90 | 2811 0026 | Rondella | Washer | Ø8,4x24x2 | 4 | |
| 91 | 3605 0071 | Vite | Screw | M8x40 | 4 | |
| 92 | 3002 0860 | Piastra Serbatoio | Diesel Tank Plate | | 1 | |
| 93 | 3605 0156 | Vite | Screw | M6x20 | 4 | |
| 94 | 3042 0036 | Kit Livello Gasolio | Diesel Level Kit | | 1 | |
| 95 | 3029 0056 | Serbatoio | Fuel Tank | | 1 | |
| 96 | 3607 0195 | Vite | Screw | M10x20 | 4 | |
| 97 | 2811 0040 | Rondella | Washer | Ø11x40x2,5 | 4 | |
| 100 | 3609 0153 | Vite | Screw | M6x20 | 2 | |
| 101 | 2811 0125 | Rondella | Washer | Ø6,4x12x1,6 | 4 | 21/250-18/350 30/200 |
| 102 | 0604 0167 | Dado | Nut | M6 | 2 | |
| 103 | 2416 0159 | Protezione Motore | Motor Cover | | 1 | |
| 105 | 1817 0102 | Manopola | Knob | | 1 | |
| 106 | 1215 0632 | Kit Valvola Regolazione | Unloader Valve Kit | BP100/550 | 1 | |
| 107 | 0601 0225 | Distanziale | Spacer | Ø8,5x18x13 | 4 | |
| 108 | 1209 0101 | Rondella | Washer | G1/2 | 1 | |
| 109 | 2000 0067 | Nipplo | Nipple | G1/2-G3/8 | 1 | |
| 110 | 1209 0101 | Rondella | Washer | G1/2 | 1 | 18/350-30/200 |
| 111 | 2800 0524 | Raccordo porta gomma | Hose tail | G1/2-Ø13 | 1 | |
| 112 | 1209 0101 | Rondella | Washer | G1/2 | 1 | |
| 113 | 2000 0067 | Nipplo | Nipple | G1/2-G3/8 | 1 | |
| 114 | 2811 0016 | Rondella | Washer | Ø8,4x17x1,6 | 2 | |
| 115 | 3607 0275 | Vite | Screw | M8x75 | 2 | |



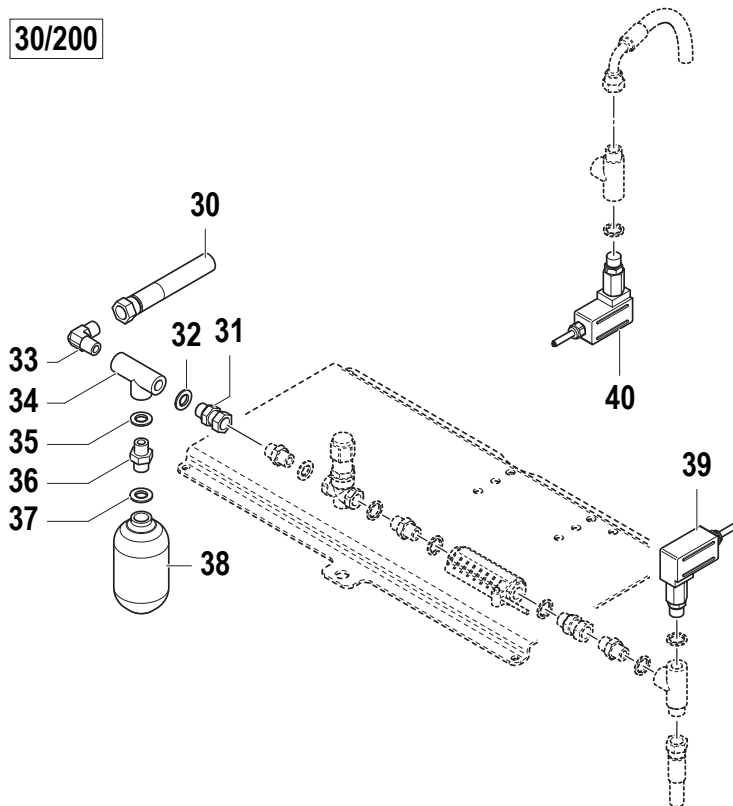
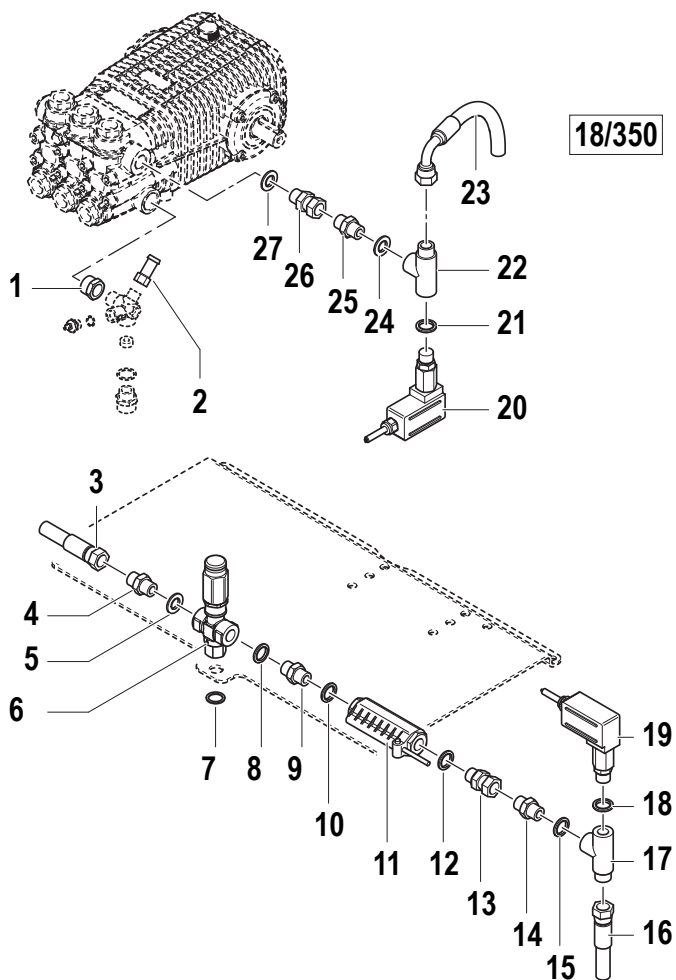
| N° | Cod. | Descrizione | Description | Note | Q.ty | Model |
|----|-----------|-------------------------|------------------------|------------------|------|-------|
| 1 | 2825 0051 | Adattatore | Adapter | M-F G3/8-G1/2 | 1 | |
| 2 | 1209 0111 | Guarnizione | Gasket | Ø14,5x24,5x3,5 | 1 | |
| 3 | 1223 0052 | Galletto | Wing Nut | G3/4 | 1 | |
| 4 | 2801 0074 | Raccordo Curvo | Elbow Coupling | Ø19 | 1 | |
| 5 | 3208 1038 | Tubo | Hose | Ø19x26 L=380 | 1 | |
| 6 | 2801 0074 | Raccordo Curvo | Elbow Coupling | Ø19 | 1 | |
| 7 | 1223 0052 | Galletto | Wing Nut | G3/4 | 1 | |
| 8 | 1209 0111 | Guarnizione | Gasket | Ø14,5x24,5x3,5 | 1 | |
| 9 | 2803 0654 | Raccordo | Coupling | M-M G3/4 | 1 | |
| 10 | 1002 0237 | Filtro | Filter | G3/4 | 1 | |
| 11 | 0402 0349 | Coperchio Laterale | Lateral Water Tank Lid | | 1 | |
| 12 | 3029 0015 | Serbatoio Anticalcare | Water Softener Tank | | 1 | |
| 13 | 3607 0078 | Vite | Screw | M4x10 | 2 | |
| 14 | 2422 0023 | Pompa Anticalcare | Water Softener Pump | | 1 | |
| 15 | 3208 0860 | Tubo Anticalcare | Water Softener Hose | L=210 | 1 | |
| 16 | 3208 0861 | Tubo Anticalcare | Water Softener Hose | L=300 | 1 | |
| 17 | 2434 0043 | Pressacavo | Cable Holder | Ø5x7x1,5 | 1 | |
| 18 | 3200 0058 | Tappo Serb. Anticalcare | Water Softener Plug | Rosso / Red | 1 | |
| 19 | 2811 0006 | Rondella | Washer | Ø4,3x9 | 2 | |
| 20 | 0604 0075 | Dado | Nut | M4 | 2 | |
| 21 | 0461 0569 | Cisterna Acqua | Water Tank | | 1 | |
| 22 | 1237 0010 | Kit Galleggiante | Floater Kit | | 1 | |

| N° | Cod. | Descrizione | Description | Note | Q.ty | Model |
|----|-----------|----------------------|--------------------|------------------|------|--------------------------------|
| 23 | 3002 0863 | Supporto Cisterna | Water Tank Support | | 1 | |
| 24 | 3625 0075 | Vite | Screw | 4,2x16 | 4 | |
| 25 | 3607 0248 | Vite | Screw | M8x20 | 4 | |
| 26 | 2811 0108 | Rondella | Washer | Ø8,5x15x1,6 | 4 | |
| 27 | 2811 0108 | Rondella | Washer | Ø8,5x15x1,6 | 4 | |
| 28 | 0604 0158 | Dado | Nut | M8 | 4 | |
| 29 | 3208 0813 | Tubo | Hose | Ø19x26 L=160 | 1 | |
| 30 | 2801 0074 | Raccordo Curvo | Elbow Coupling | Ø19 | 1 | |
| 31 | 1223 0052 | Galletto | Wing Nut | G3/4 | 1 | |
| 32 | 1209 0111 | Guarnizione | Gasket | Ø14,5x24,5x3,5 | 1 | |
| 33 | 2000 0056 | Nipplo | Nipple | M-M G3/8-G1/2 | 1 | |
| 34 | 1209 0114 | Rondella | Washer | G1/2 | 1 | |
| 35 | 0601 0401 | Diaframma | Spacer | Ø18x7,5x6,5 | 1 | 15/200-16/250 |
| | 0601 0400 | Diaframma | Spacer | Ø18x8,5x6,5 | 1 | 21/150-21/200 21/250-18/350 |
| 36 | 3208 1139 | Tubo | Hose | G3/8 L=700 | 1 | |
| 37 | 1210 0170 | Guarnizione OR | O-Ring | Ø1,78x10,82 | 1 | |
| 38 | 2800 0515 | Raccordo Detergente | Detergent Coupling | | 1 | |
| 39 | 0424 0466 | Raccordo Aspirazione | Suction Coupling | | 1 | |
| 40 | 2000 0051 | Nipplo | Nipple | M-M G1/4 | 1 | |
| 41 | 1209 0097 | Rondella | Washer | G1/4 | 1 | |



| N° | Cod. | Descrizione | Description | Note | Q.ty | Model |
|----|-----------|---------------------------|---------------------|------------------|------|-------|
| 1 | 3208 1322 | Tubo | Hose | R2 G3/8 L=650 | 1 | |
| 2 | 2000 0041 | Nipplo | Nipple | G3/8 | 1 | |
| 3 | 1209 0099 | Rondella | Washer | G3/8 | 1 | |
| 4 | 1219 2053 | Valvola Massima Pressione | Max. Pressure Valve | | 1 | |
| 5 | 1209 0091 | Rondella | Washer | G3/8 | 1 | |
| 6 | 2800 0522 | Raccordo | Straight Hose Tail | Ø13 G3/8M | 1 | |
| 7 | 3208 1187 | Tubo | Hose | Ø13x19 L=200 | 1 | |
| 8 | 3208 0920 | Tubo | Hose | R2 G3/8 L=550 | 1 | |
| 9 | 2421 0017 | Flussostato | Flow Switch | | 1 | |
| 10 | 1209 0097 | Rondella | Washer | G1/4 | 1 | |
| 11 | 2421 0040 | Pressostato | Pressure Switch | G1/4 30bar | 1 | |
| 12 | 0011 0003 | Adattatore | Adapter | M-F G3/8 | 1 | |
| 13 | 1209 0099 | Rondella | Washer | G3/8 | 1 | |
| 14 | 2421 0038 | Pressostato | Pressure Switch | G1/4 15bar | 1 | |

| N° | Cod. | Descrizione | Description | Note | Q.ty | Model |
|----|-----------|----------------------------|----------------------|----------------------|------|-------|
| 15 | 1209 0097 | Rondella | Washer | G1/4 | 1 | |
| 16 | 1211 0031 | Gomito | Elbow | M-F G3/8-G1/4 | 1 | |
| 17 | 1209 0099 | Rondella | Washer | G3/8 | 1 | |
| 18 | 2000 0041 | Nipplo | Nipple | G3/8 | 1 | |
| 19 | 3208 1302 | Tubo | Hose | R2 G3/8 L=430 | 1 | |
| 20 | 3208 1322 | Tubo | Hose | R2 G3/8 L=650 | 1 | |
| 21 | 0011 0003 | Adattatore | Adapter | M-F G3/8 | 1 | |
| 22 | 1209 0099 | Rondella | Washer | G3/8 | 1 | |
| 23 | 1211 0026 | Gomito | Elbow | M-M G3/8 | 1 | |
| 24 | 2803 3428 | Raccordo | Coupling | F-F-F G3/8 | 1 | |
| 25 | 1209 0099 | Rondella | Washer | G3/8 | 1 | |
| 26 | 2000 0148 | Nipplo | Nipple | M-M G3/8- M18x1,5 | 1 | |
| 27 | 1209 0131 | Rondella | Washer | M18 | 1 | |
| 28 | 0102 0040 | Kit Accumulatore Pressione | Pressure Accumulator | | 1 | |



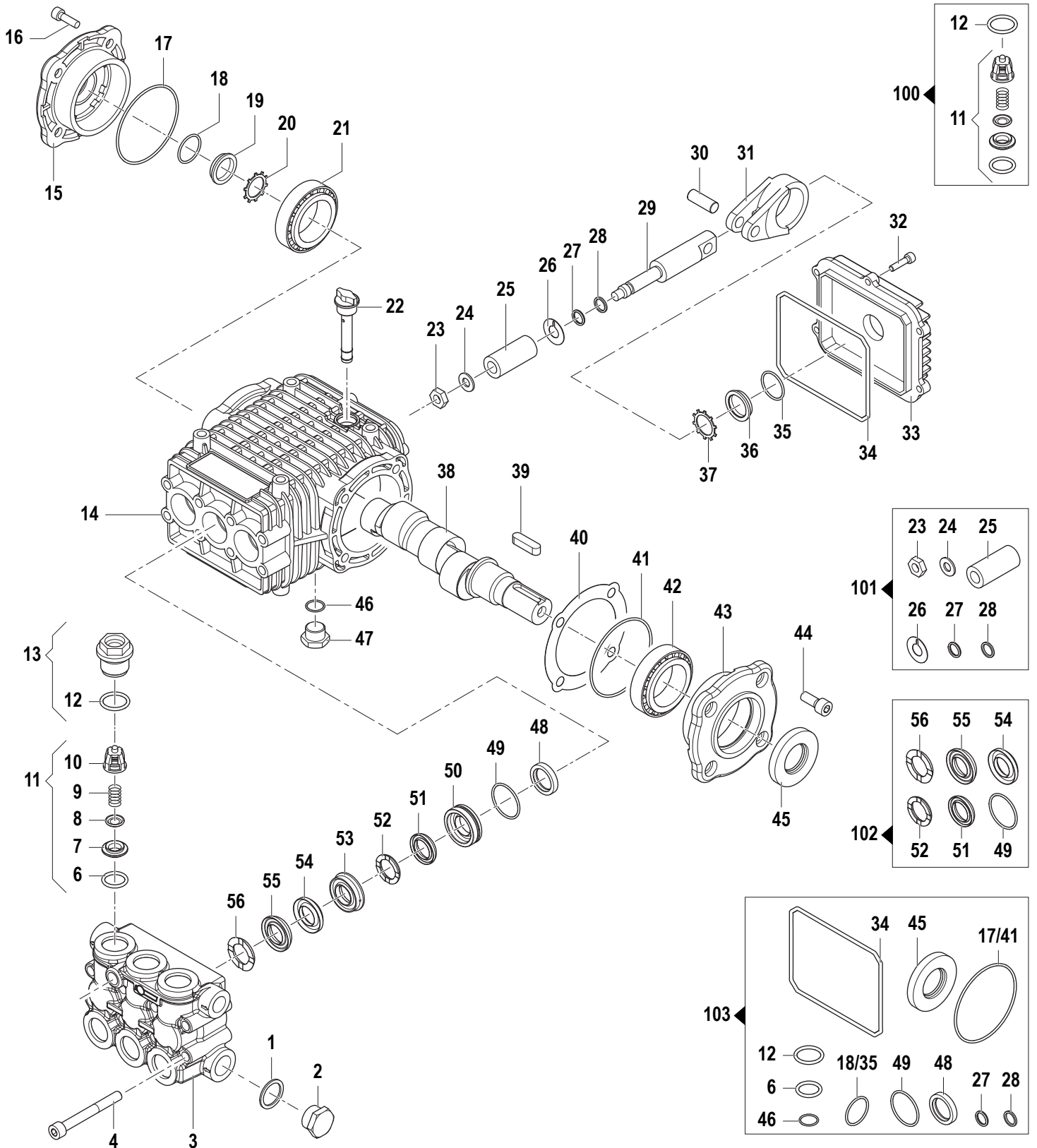
| N° | Cod. | Descrizione | Description | Note | Qty | Model |
|----|-----------|-----------------------|---------------------|---------------|-----|-------|
| 1 | 2825 0051 | Adattatore | Adapter | M-F G3/8-G1/2 | 1 | |
| 2 | 2800 0528 | Raccordo | Coupling | G3/8F Ø13 | 1 | |
| 3 | 3208 1322 | Tubo | Hose | R2 G3/8 L=650 | 1 | |
| 4 | 2000 0041 | Nipplo | Nipple | G3/8 | 1 | |
| 5 | 1209 0099 | Rondella | Washer | G3/8 | 1 | |
| 6 | 1219 2053 | Valvola Max Pressione | Max. Pressure Valve | | 1 | |
| 7 | 1209 0091 | Rondella | Washer | G3/8 | 1 | |
| 8 | 1209 0099 | Rondella | Washer | G3/8 | 1 | |
| 9 | 2000 0041 | Nipplo | Nipple | G3/8 | 1 | |
| 10 | 1209 0099 | Rondella | Washer | G3/8 | 1 | |
| 11 | 2421 0033 | Flussostato | Flow Switch | F-F G3/8 | 1 | |
| 12 | 1209 0099 | Rondella | Washer | G3/8 | 1 | |
| 13 | 0011 0003 | Adattatore | Adapter | M-F G3/8 | 1 | |
| 14 | 2000 0041 | Nipplo | Nipple | G3/8 | 1 | |
| 15 | 1209 0099 | Rondella | Washer | G3/8 | 1 | |
| 16 | 3208 1302 | Tubo | Hose | R2 G3/8 L=430 | 1 | |
| 17 | 2803 3388 | Raccordo | Coupling | F-F-M G3/8 | 1 | |
| 18 | 1209 0099 | Rondella | Washer | G3/8 | 1 | |
| 19 | 2421 0042 | Pressostato | Pressure Switch | G1/4 30bar | 1 | |
| 20 | 2421 0042 | Pressostato | Pressure Switch | G1/4 30bar | 1 | |

| N° | Cod. | Descrizione | Description | Note | Qty | Model |
|----|-----------|----------------------------|----------------------|------------------|-----|-------|
| 21 | 1209 0099 | Rondella | Washer | G3/8 | 1 | |
| 22 | 2803 3388 | Raccordo | Coupling | F-F-M G3/8 | 1 | |
| 23 | 3208 1321 | Tubo | Hose | R2 G3/8 L=540 | 1 | |
| 24 | 1209 0099 | Rondella | Washer | G3/8 | 1 | |
| 25 | 2000 0041 | Nipplo | Nipple | G3/8 | 1 | |
| 26 | 0011 0003 | Adattatore | Adapter | M-F G3/8 | 1 | |
| 27 | 1209 0099 | Rondella | Washer | G3/8 | 1 | |
| 30 | 3208 1322 | Tubo | Hose | R2 G3/8 L=650 | 1 | |
| 31 | 1211 0026 | Gomito | Elbow | M-M G3/8 | 1 | |
| 32 | 1209 0099 | Rondella | Washer | G3/8 | 1 | |
| 33 | 0011 0003 | Adattatore | Adapter | M-F G3/8 | 1 | |
| 34 | 2803 3428 | Raccordo | Coupling | F-F-F G3/8 | 1 | |
| 35 | 1209 0099 | Rondella | Washer | G3/8 | 1 | |
| 36 | 2000 0148 | Nipplo | Nipple | M-M G3/8-M18x1,5 | 1 | |
| 37 | 1209 0131 | Rondella | Washer | M18 | 1 | |
| 38 | 0102 0040 | Kit Accumulatore Pressione | Pressure Accumulator | | 1 | |
| 39 | 2421 0038 | Pressostato | Pressure Switch | G1/4 15bar | 1 | |
| 40 | 2421 0038 | Pressostato | Pressure Switch | G1/4 15bar | 1 | |



Pump **FW2 4030S 15/200** (6410 0100)

Pump **FW2 5522S 21/150** (6410 0400)





Pump **FW2 4030S 15/200** (6410 0100)

Pump **FW2 5522S 21/150** (6410 0400)

| N° | Cod. | Descrizione | Description | Note | Q.ty | Model |
|----|-----------|-------------------------|----------------------------|----------------|------|--------|
| 1 | 2811 0086 | Rondella | Washer | Ø21,2x27x1,5 | 1 | |
| 2 | 3202 0015 | Tappo | Cap | G1/2 | 1 | |
| 3 | 3218 0315 | Testata Pompa | Pump Manifold | Ø18 | 1 | 15/200 |
| | 3218 0316 | Testata Pompa | Pump Manifold | Ø20 | 1 | 21/150 |
| 4 | 3609 0039 | Vite | Screw | M8x70 | 8 | |
| 6 | 1210 0046 | Guarnizione OR | O-Ring | Ø2,62x17,13 | 6 | |
| 7 | 3009 0087 | Sede Valv. Asp./Mand. | Suct./Del. Valve Seat | | 6 | |
| 8 | 3604 0017 | Valvola Asp./Mand. | Suct./Del. Valve | | 6 | |
| 9 | 1802 0177 | Molla Valv. Asp./Mand. | Suct./Del. Valve Spring | | 6 | |
| 10 | 1205 0025 | Gabbia Valv. Asp./Mand. | Suct./Del. Valve Cage | | 6 | 15/200 |
| | 1205 0043 | Gabbia Valv. Asp./Mand. | Suct./Del. Valve Cage | | 6 | 21/150 |
| 11 | 1220 0030 | Gruppo Valv. Asp./Mand. | Suct./Del. Valve Ass.y kit | | 6 | 15/200 |
| | 1220 0072 | Gruppo Valv. Asp./Mand. | Suct./Del. Valve Ass.y kit | | 6 | 21/150 |
| 12 | 1210 0048 | Guarnizione OR | O-Ring | | 6 | |
| 13 | 3202 0312 | Tappo + O-ring | Cap + O-ring | | 6 | |
| 14 | 0403 0203 | Carter Pompa | Pump Crankcase | | 1 | |
| 15 | 1009 0241 | Flangia | Flange | | 1 | |
| 16 | 3609 0157 | Vite | Screw | M8x18 | 4 | |
| 17 | 1210 0448 | Guarnizione OR | O-Ring | Ø2x70 | 1 | |
| 18 | 1210 0451 | Guarnizione OR | O-Ring | Ø2x24 | 1 | |
| 19 | 3201 0026 | Spia Livello Olio | Oil Indicator | | 1 | |
| 20 | 3019 0033 | Seeger Esterno | Outer Seeger | Ø28 | 1 | |
| 21 | 0440 0031 | Cuscinetto Rulli Conici | Roller Bearing | Ø30x62x21,25 | 1 | |
| 22 | 3200 0051 | Tappo Olio | Oil Dipstick | | 1 | |
| 23 | 0600 0054 | Dado Speciale | Special Bolt | | 3 | |
| 24 | 2811 0082 | Rondella | Washer | Ø8,2x17x1,5 | 3 | |
| 25 | 0202 0022 | Bussola Ceramica | Ceramic Bushing | Ø18 | 3 | 15/200 |
| | 0202 0024 | Bussola Ceramica | Ceramic Bushing | Ø20 | 3 | 21/150 |
| 26 | 2812 0094 | Rondella | Washer | | 3 | |
| 27 | 1210 0039 | Guarnizione OR | O-Ring | Ø1,78x7,66 | 3 | |
| 28 | 0009 0170 | Anello Anti Estrusione | Anti-Extr. Ring | | 3 | |
| 29 | 2409 0048 | Pistone Guida | Piston Guides | | 3 | |
| 30 | 3011 0016 | Spinotto | Gudgeon Pin | Ø10x29 | 3 | |
| 31 | 0205 0044 | Biella | Connecting Rod | | 3 | |
| 32 | 3609 0030 | Vite | Screw | M5x20 | 6 | |
| 33 | 0402 0169 | Coperchio Carter | Crankcase Cover | | 1 | |
| 34 | 1210 0468 | Guarnizione OR | O-Ring | Ø3x108 | 1 | |
| 35 | 1210 0451 | Guarnizione OR | O-Ring | Ø2x24 | 1 | |
| 36 | 3201 0026 | Spia Livello Olio | Oil Indicator | | 1 | |
| 37 | 3019 0033 | Seeger Esterno | Outer Seeger | Ø28 | 1 | |
| 38 | 0001 0570 | Albero Passante | Throughshaft | Ø24 | 1 | 15/200 |
| | 0001 0571 | Albero Passante | Throughshaft | Ø24 | 1 | 21/150 |
| 39 | 1602 0013 | Linguetta | Key | 8x7x30 | 1 | |
| 40 | 0601 0304 | Distanziale | Shim | 0,05mm | 1 | |
| | 0601 0305 | Distanziale | Shim | 0,1mm | 1 | |
| | 0601 0306 | Distanziale | Shim | 0,19mm | 1 | |
| | 0601 0307 | Distanziale | Shim | 0,25mm | 1 | |
| 41 | 1210 0448 | Guarnizione OR | O-Ring | Ø2x70 | 1 | |
| 42 | 0440 0031 | Cuscinetto Rulli Conici | Roller Bearing | Ø30x62x21,25 | 1 | |
| 43 | 1009 0242 | Flangia Pompa | Flange | | 1 | |
| 44 | 3609 0157 | Vite | Screw | M8x18 | 4 | |
| 45 | 0019 0007 | Anello Tenuta | Oil Seal | Ø25x52x7 | 1 | |
| 46 | 1210 0441 | Guarnizione OR | O-Ring | Ø2x14 | 1 | |
| 47 | 3200 0007 | Tappo | Cap | G3/8 | 1 | |
| 48 | 0019 0128 | Anello Tenuta | Oil Seal | Ø20x28x5 Viton | 3 | |
| 49 | 1210 0156 | Guarnizione OR | O-Ring | Ø1,78x31,47 | 3 | |

| N° | Cod. | Descrizione | Description | Note | Q.ty | Model |
|----|-----------|-----------------------|-------------------|------|------|--------|
| 50 | 0009 0757 | Anello Porta Guarniz. | Packing Retainer | Ø18 | 3 | 15/200 |
| | 0009 0758 | Anello Porta Guarniz. | Packing Retainer | Ø20 | 3 | 21/150 |
| 51 | 1241 0026 | Guarniz. Tenuta | Packing | Ø18 | 3 | 15/200 |
| | 1241 0032 | Guarniz. Tenuta | Water Packing | Ø20 | 3 | 21/150 |
| 52 | 0009 0193 | Anello Pressione | Packing Head Ring | Ø18 | 3 | 15/200 |
| | 0009 0108 | Anello Pressione | Packing Head Ring | Ø20 | 3 | 21/150 |
| 53 | 0009 0200 | Anello Porta Guarniz. | Packing Retainer | Ø18 | 3 | 15/200 |
| | 0009 0114 | Anello Porta Guarniz. | Packing Retainer | Ø20 | 3 | 21/150 |
| 54 | 0009 0100 | Anello Posteriore | Back Ring | Ø18 | 3 | 15/200 |
| | 0009 0104 | Anello Posteriore | Back Ring | Ø20 | 3 | 21/150 |
| 55 | 1241 0022 | Guarniz. Tenuta Acqua | Water Packing | Ø18 | 3 | 15/200 |
| | 1241 0032 | Guarniz. Tenuta Acqua | Water Packing | Ø20 | 3 | 21/150 |
| 56 | 0009 0199 | Anello Pressione | Packing Head Ring | Ø18 | 3 | 15/200 |
| | 0009 0108 | Anello Pressione | Packing Head Ring | Ø20 | 3 | 21/150 |

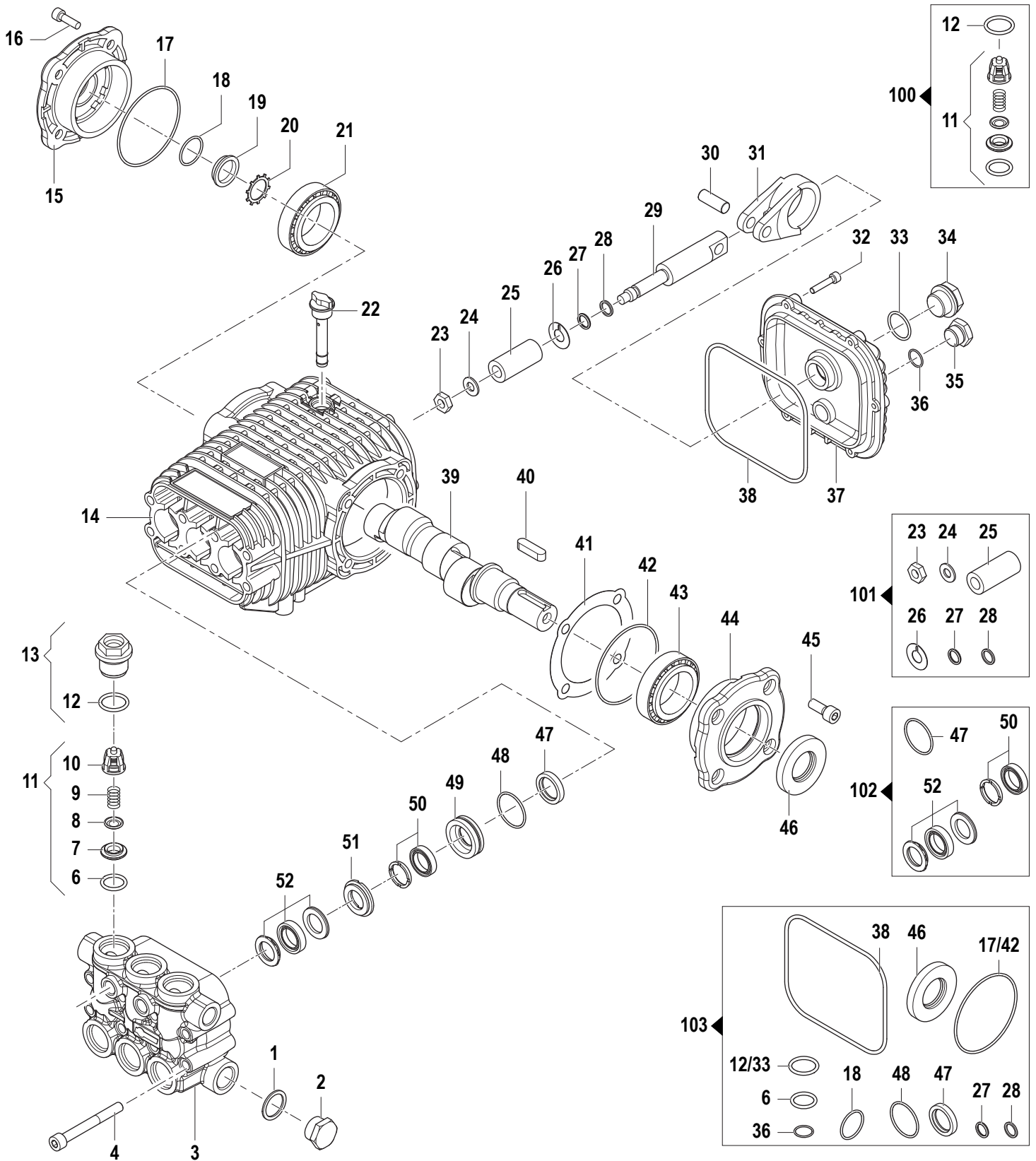
Kit Ricambi

Spare Parts Kit

| N° | Cod. | Descrizione | Description | Note | Q.ty | Model |
|-----|-----------|-----------------------|----------------|------|------|--------|
| 100 | 5025 0011 | Kit Valvole | Valve Kit | | 1 | 15/200 |
| | 5025 0025 | Kit Valvole | Valve Kit | | 1 | 21/150 |
| 101 | 2409 0073 | Kit Pistone | Piston Kit | Ø18 | 1 | 15/200 |
| | 2409 0074 | Kit Pistone | Piston Kit | Ø20 | 1 | 21/150 |
| 102 | 5019 0245 | Kit Guarnizioni Acqua | Water Seal Kit | Ø18 | 1 | 15/200 |
| | 5019 0039 | Kit Guarnizioni Acqua | Water Seal Kit | Ø20 | 1 | 21/150 |
| 103 | 5019 0219 | Kit Guarnizioni Olio | Oil Seal Kit | | 1 | |



Pump **RW 5535S 21/200-21/250** (6517 1300)
 Pump **RW 4040S 16/250** (6517 1400)





Pump **RW 5535S 21/200-21/250** (6517 1300)

Pump **RW 4040S 16/250** (6517 1400)

| N° | Cod. | Descrizione | Description | Note | Qty | Model |
|----|-----------|-------------------------|----------------------------|--------------|-----|---------------|
| 1 | 2811 0086 | Rondella | Washer | Ø21,2x27x1,5 | 1 | |
| 2 | 3202 0015 | Tappo | Cap | G1/2 | 1 | |
| 3 | 3218 0373 | Testata Pompa | Pump Manifold | Ø20 | 1 | 21/200-21/250 |
| | 3218 0393 | Testata Pompa | Pump Manifold | Ø18 | 1 | 16/250 |
| 4 | 3609 0039 | Vite | Screw | M8x70 | 8 | |
| 6 | 1210 0046 | Guarnizione OR | O-Ring | Ø2,62x17,13 | 6 | |
| 7 | 3009 0087 | Sede Valv. Asp./Mand. | Suct./Del. Valve Seat | | 6 | |
| 8 | 3604 0017 | Valvola Asp./Mand. | Suct./Del. Valve | | 6 | |
| 9 | 1802 0177 | Molla Valv. Asp./Mand. | Suct./Del. Valve Spring | | 6 | |
| 10 | 1205 0043 | Gabbia Valv. Asp./Mand. | Suct./Del. Valve Cage | | 6 | 21/200-21/250 |
| | 1205 0025 | Gabbia Valv. Asp./Mand. | Suct./Del. Valve Cage | | 6 | 16/250 |
| 11 | 1220 0072 | Gruppo Valv. Asp./Mand. | Suct./Del. Valve Ass.y kit | | 6 | 21/200-21/250 |
| | 1220 0030 | Gruppo Valv. Asp./Mand. | Suct./Del. Valve Ass.y kit | | 6 | 16/250 |
| 12 | 1210 0048 | Guarnizione OR | O-Ring | | 6 | |
| 13 | 3202 0315 | Tappo + O-ring | Cap + O-ring | | 6 | |
| 14 | 0403 0168 | Carter Pompa | Pump Crankcase | | 1 | |
| 15 | 1009 0241 | Flangia | Flange | | 1 | |
| 16 | 3609 0157 | Vite | Screw | M8x18 | 4 | |
| 17 | 1210 0448 | Guarnizione OR | O-Ring | Ø2x70 | 1 | |
| 18 | 1210 0451 | Guarnizione OR | O-Ring | Ø2x24 | 1 | |
| 19 | 3201 0026 | Spia Livello Olio | Oil Indicator | | 1 | |
| 20 | 3019 0033 | Seeger Esterno | Outer Seeger | Ø28 | 1 | |
| 21 | 0440 0031 | Cuscinetto Rulli Conici | Roller Bearing | Ø30x62x21,25 | 1 | |
| 22 | 3200 0051 | Tappo Olio | Oil Dipstick | | 1 | |
| 23 | 0600 0054 | Dado Speciale | Special Bolt | | 3 | |
| 24 | 2811 0082 | Rondella | Washer | Ø8,2x17x1,5 | 3 | |
| 25 | 0202 0024 | Bussola Ceramica | Ceramic Bushing | Ø20 | 3 | 21/200-21/250 |
| | 0202 0022 | Bussola Ceramica | Ceramic Bushing | Ø18 | 3 | 16/250 |
| 26 | 2812 0094 | Rondella | Washer | | 3 | |
| 27 | 1210 0039 | Guarnizione OR | O-Ring | Ø1,78x7,66 | 3 | |
| 28 | 0009 0170 | Anello Anti Estrusione | Anti-Extr. Ring | | 3 | |
| 29 | 2409 0139 | Pistone Guida | Piston Guides | | 3 | |
| 30 | 3011 0016 | Spinotto | Gudgeon Pin | Ø10x29 | 3 | |
| 31 | 0205 0044 | Biella | Connecting Rod | | 3 | |
| 32 | 3609 0030 | Vite | Screw | M5x20 | 6 | |
| 33 | 1210 0048 | Guarnizione OR | O-Ring | Ø2,62x20,24 | 1 | |
| 34 | 3201 0027 | Tappo Livello Olio | Oil Level Plug | G1/2 | 1 | |
| 35 | 3200 0007 | Tappo | Cap | G3/8 | 1 | |
| 36 | 1210 0441 | Guarnizione OR | O-Ring | Ø2x14 | 1 | |
| 37 | 0402 0307 | Coperchio Carter | Cover | | 1 | |
| 38 | 1210 0369 | Guarnizione OR | O-Ring | Ø3,53x117,1 | 1 | |
| 39 | 0001 0571 | Albero Passante | Throughshaft | Ø24 | 1 | 21/200-21/250 |
| | 0001 0570 | Albero Passante | Throughshaft | Ø24 | 1 | 16/250 |
| 40 | 1602 0013 | Linguetta | Key | 8x7x30 | 1 | |

| N° | Cod. | Descrizione | Description | Note | Qty | Model |
|----|-----------|-------------------------|-------------------|----------------|-----|---------------|
| 41 | 0601 0304 | Distanziale | Shim | 0,05mm | 1 | |
| | 0601 0305 | Distanziale | Shim | 0,1mm | 1 | |
| | 0601 0306 | Distanziale | Shim | 0,19mm | 1 | |
| | 0601 0307 | Distanziale | Shim | 0,25mm | 1 | |
| 42 | 1210 0448 | Guarnizione OR | O-Ring | Ø2x70 | 1 | |
| 43 | 0440 0031 | Cuscinetto Rulli Conici | Roller Bearing | Ø30x62x21,25 | 1 | |
| 44 | 1009 0242 | Flangia Pompa | Flange | | 1 | |
| 45 | 3609 0157 | Vite | Screw | M8x18 | 4 | |
| 46 | 0019 0007 | Anello Tenuta | Oil Seal | Ø25x52x7 | 1 | |
| 47 | 0019 0128 | Anello Tenuta | Oil Seal | Ø20x28x5 Viton | 3 | |
| 48 | 1210 0156 | Guarnizione OR | O-Ring | Ø1,78x31,47 | 3 | |
| 49 | 0009 0353 | Anello Porta Guarniz. | Packing Retainer | Ø20 | 3 | 21/200-21/250 |
| | 0009 0359 | Anello Porta Guarniz. | Packing Retainer | Ø18 | 3 | 16/250 |
| 50 | 1241 0080 | Guarniz. Tenuta | Water Packing | Ø20 | 3 | 21/200-21/250 |
| | 1241 0074 | Guarniz. Tenuta | Water Packing | Ø18 | 3 | 16/250 |
| 51 | 0009 0352 | Anello Pressione | Packing Head Ring | Ø20 | 3 | 21/200-21/250 |
| | 0009 0358 | Anello Pressione | Packing Head Ring | Ø18 | 3 | 16/250 |
| 52 | 1241 0079 | Anello Porta Guarniz. | Packing Retainer | Ø20 | 3 | 21/200-21/250 |
| | 1241 0073 | Anello Porta Guarniz. | Packing Retainer | Ø18 | 3 | 16/250 |

Kit Ricambi

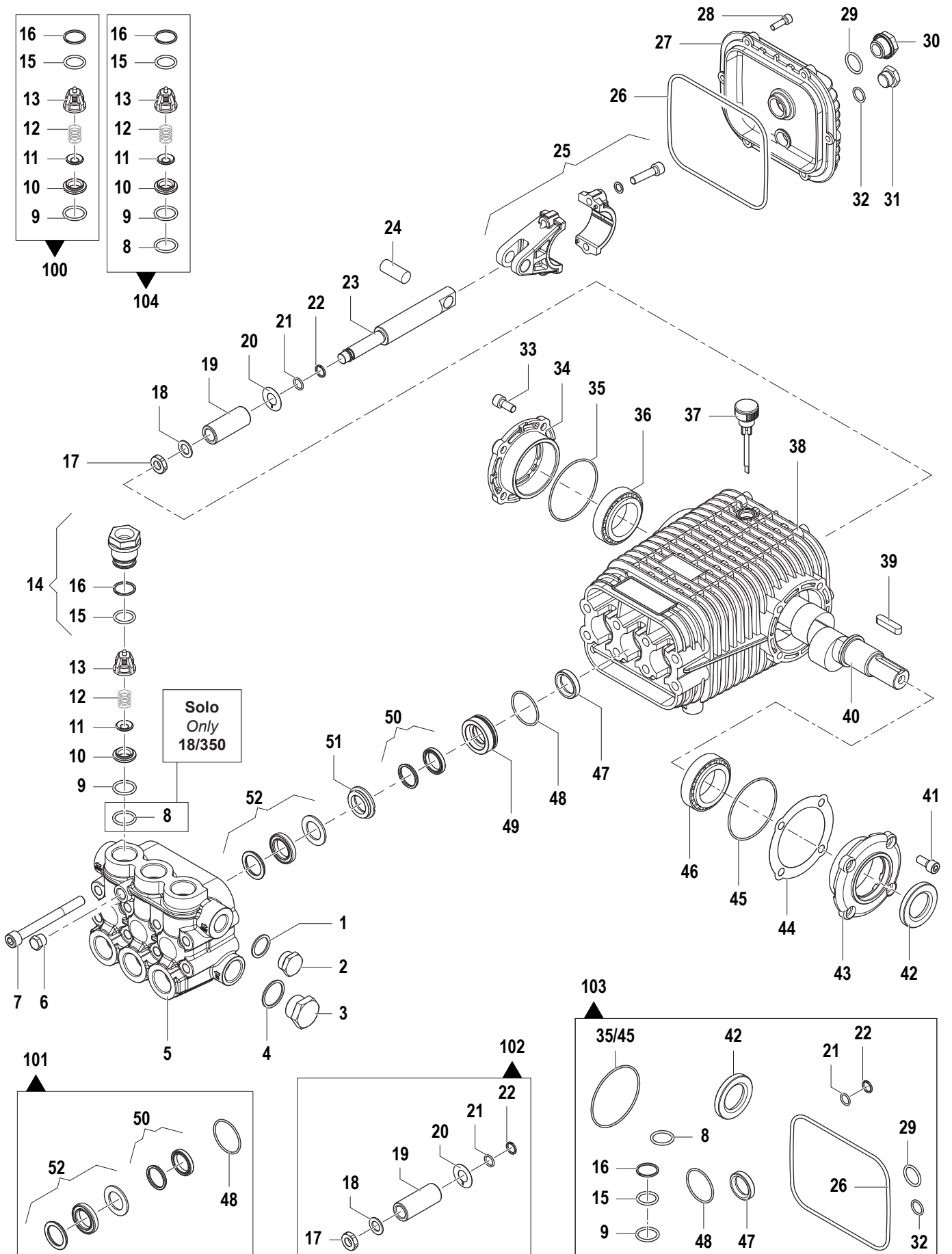
Spare Parts Kit

| | | | | | | |
|-----|-----------|-----------------------|----------------|-----|---|---------------|
| 100 | 5025 0011 | Kit Valvole | Valve Kit | | 1 | 21/200-21/250 |
| | 5025 0025 | Kit Valvole | Valve Kit | | 1 | 16/250 |
| 101 | 2409 0145 | Kit Pistone | Piston Kit | Ø20 | 1 | 21/200-21/250 |
| | 2409 0146 | Kit Pistone | Piston Kit | Ø18 | 3 | 16/250 |
| 102 | 5019 0672 | Kit Guarnizioni Acqua | Water Seal Kit | Ø20 | 1 | 21/200-21/250 |
| | 5019 0673 | Kit Guarnizioni Acqua | Water Seal Kit | Ø18 | 1 | 16/250 |
| 103 | 5019 0219 | Kit Guarnizioni Olio | Oil Seal Kit | | 1 | |



Pump **TW 4550S 18/350** (6513 0400)

Pump **TW 8030S 30/200** (6513 1415)





Pump **TW 4550S 18/350** (6513 0400)

Pump **TW 8030S 30/200** (6513 1415)

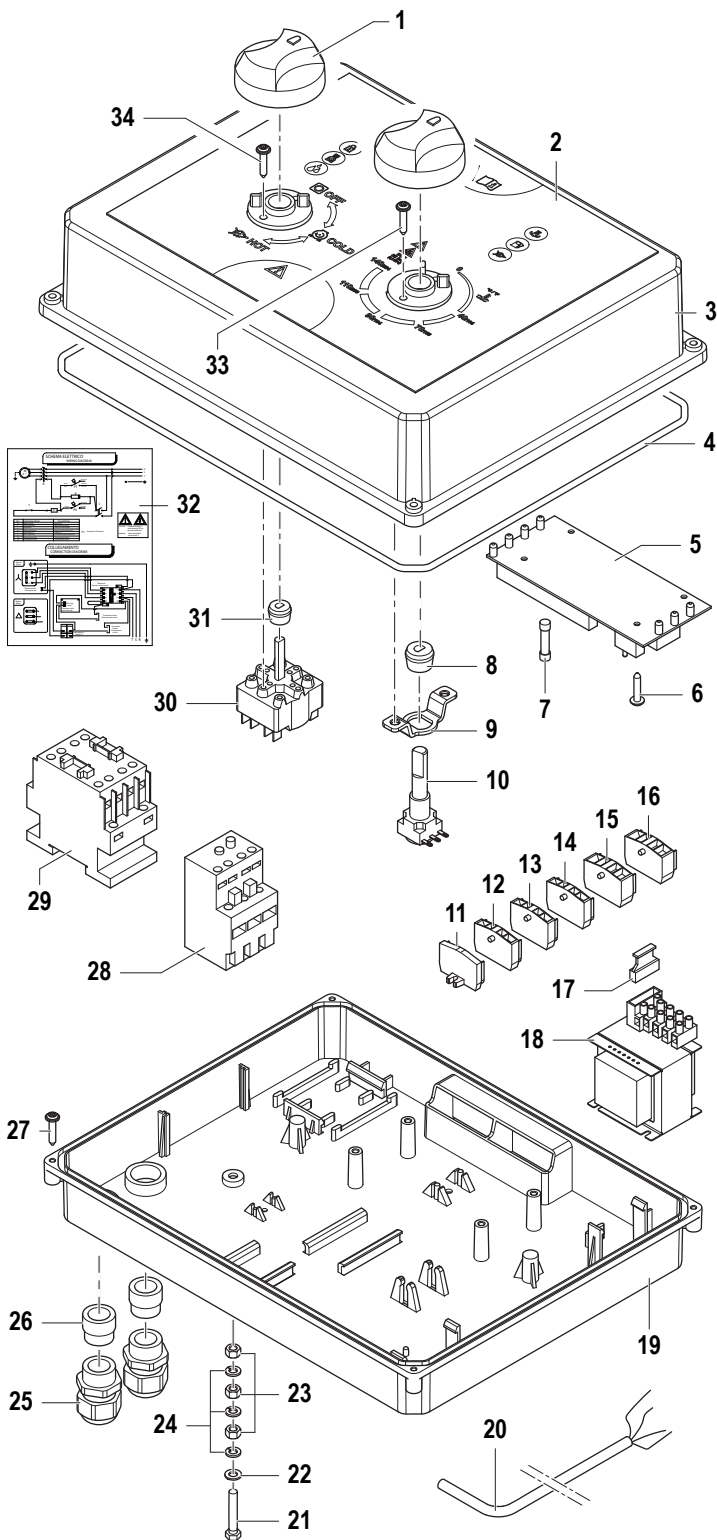
| N° | Cod. | Descrizione | Description | Note | Q.ty | Model |
|----|-----------|------------------------------------|-------------------------------|----------------|------|--------|
| 1 | 2811 0084 | Rondella | Washer | Ø17x22x1,5 | 1 | |
| 2 | 3200 0007 | Tappo | Plug | G3/8 | 1 | |
| 3 | 3202 0015 | Tappo | Plug | G1/2 | 1 | 18/350 |
| | 3202 0115 | Tappo | Plug | G3/4 | 1 | 30/200 |
| 4 | 2811 0086 | Rondella | Washer | Ø21,2x27x1,5 | 1 | 18/350 |
| | 2811 0079 | Rondella | Washer | Ø27,7x32,5x1,5 | 1 | 30/200 |
| 5 | 3218 0345 | Testata Pompa | Pump Manifold | Ø18 | 1 | 18/350 |
| | 3218 0346 | Testata Pompa | Pump Manifold | Ø22 | 1 | 30/200 |
| 6 | 3200 0004 | Tappo | Plug | G1/4 | 1 | |
| 7 | 3609 0179 | Vite | Screw | M10x100 | 8 | |
| 8 | 0009 0299 | Anello BK | Anti-Extr. Ring | | 6 | |
| 9 | 1210 0153 | Guarnizione OR | O-Ring | Ø2,62x15,08 | 6 | 18/350 |
| | 1210 0048 | Guarnizione OR | O-Ring | Ø2,62x20,54 | 6 | 30/200 |
| 10 | 3009 0144 | Sede Valvola Aspirazione/Mandata | Suction/Delivery Valve Seat | | 6 | 18/350 |
| | 3009 0145 | Sede Valvola Aspirazione/Mandata | Suction/Delivery Valve Seat | | 6 | 30/200 |
| 11 | 3604 0017 | Valvola Aspirazione/Mandata | Suction/Delivery Valve | | 6 | 18/350 |
| | 3604 0032 | Valvola Aspirazione/Mandata | Suction/Delivery Valve | | 6 | 30/200 |
| 12 | 1802 0177 | Molla Valvola Aspirazione/Mandata | Suction/Delivery Valve Spring | | 6 | 18/350 |
| | 1802 0244 | Molla Valvola Aspirazione/Mandata | Suction/Delivery Valve Spring | | 6 | 30/200 |
| 13 | 1205 0043 | Gabbia Valvola Aspirazione/Mandata | Suction/Delivery Valve Cage | | 6 | 18/350 |
| | 1205 0038 | Gabbia Valvola Aspirazione/Mandata | Suction/Delivery Valve Cage | | 6 | 30/200 |
| 14 | 3202 0316 | Kit Tappo + OR e Anello | Valve Plug Kit + OR and Ring | | 6 | 18/350 |
| | 3202 0317 | Kit Tappo + OR e Anello | Valve Plug Kit + OR and Ring | | 6 | 30/200 |
| 15 | 1210 0021 | Guarnizione OR | O-Ring | Ø2,62x15,54 | 6 | 18/350 |
| | 1210 0019 | Guarnizione OR | O-Ring | Ø2,62x18,72 | 6 | 30/200 |
| 16 | 0009 0289 | Anello BK | Anti-Extr. Ring | | 6 | 18/350 |
| | 0009 0290 | Anello BK | Anti-Extr. Ring | | 6 | 30/200 |
| 17 | 0600 0054 | Dado Speciale | Special Bolt | | 3 | 18/350 |
| | 0600 0062 | Dado Speciale | Special Bolt | | 3 | 30/200 |
| 18 | 2811 0082 | Rondella | Washer | Ø8,4x16x1,5 | 3 | 18/350 |
| | 2811 0123 | Rondella | Washer | Ø12x20x1,5 | 3 | 30/200 |
| 19 | 0202 0042 | Bussola Ceramica | Ceramic Bushing | Ø18 | 3 | 18/350 |
| | 0202 0043 | Bussola Ceramica | Ceramic Bushing | Ø22 | 3 | 30/200 |
| 20 | 2812 0094 | Rondella | Washer | | 3 | 18/350 |
| | 2812 0083 | Rondella | Washer | | 3 | 30/200 |
| 21 | 1210 0727 | Guarnizione OR | O-Ring | Ø1,78x7,66 | 3 | 18/350 |
| | 1210 0170 | Guarnizione OR | O-Ring | Ø1,78x10,82 | 3 | 30/200 |
| 22 | 0009 0170 | Anello BK | Anti-Extr. Ring | | 3 | 18/350 |
| | 0009 0225 | Anello BK | Anti-Extr. Ring | | 3 | 30/200 |
| 23 | 2409 0109 | Pistone Guida | Piston | | 3 | 18/350 |
| | 2409 0111 | Pistone Guida | Piston | | 3 | 30/200 |
| 24 | 3011 0026 | Spinotto | Gudgeon Pin | Ø14x36 | 3 | |
| 25 | 0205 0080 | Kit Biella | Connecting Rod Kit | | 3 | |
| 26 | 1210 0349 | Guarnizione OR | O-Ring | Ø3,53x142,5 | 1 | |
| 27 | 0402 0269 | Coperchio Carter | Cover | | 1 | |
| 28 | 3609 0032 | Vite | Screw | M6x20 | 6 | |
| 29 | 1210 0048 | Guarnizione OR | O-Ring | Ø2,62x20,24 | 1 | |
| 30 | 3201 0027 | Tappo | Plug | G1/2 | 1 | |
| 31 | 3200 0007 | Tappo | Plug | G3/8 | 1 | |
| 32 | 1210 0441 | Guarnizione OR | O-Ring | Ø2x14 | 1 | |
| 33 | 3609 0157 | Vite | Screw | M8x18 | 4 | |
| 34 | 1009 0196 | Flangia | Flange | | 1 | |
| 35 | 1210 0448 | Guarnizione OR | O-Ring | Ø2x70 | 1 | |
| 36 | 0440 0028 | Cuscinetto Rulli Conici | Roller Bearing | Ø30x62x25 | 1 | |
| 37 | 3200 0075 | Tappo Olio | Oil Dipstick | | 1 | |
| 38 | 0403 0155 | Carter Pompa | Pump Crankcase | | 1 | |
| 39 | 1602 0055 | Linguetta | Key | 8x7x35 | 1 | |
| 40 | 0001 0943 | Albero Passante | Throughshaft | Ø24 mm | 1 | 18/350 |
| | 0001 0944 | Albero Passante | Throughshaft | Ø24 mm | 1 | 30/200 |
| 41 | 3609 0157 | Vite | Screw | M8x18 | 4 | |
| 42 | 0019 0032 | Anello Tenuta | Oil Seal | Ø30x52x7 | 1 | |
| 43 | 1009 0195 | Flangia | Flange | | 1 | |
| 44 | 0601 0304 | Distanziale | Spacer | sp. 0,05 | 1 | |
| | 0601 0305 | Distanziale | Spacer | sp. 0,1 | 1 | |
| | 0601 0306 | Distanziale | Spacer | sp. 0,19 | 1 | |
| | 0601 0307 | Distanziale | Spacer | sp. 0,25 | 1 | |

| N° | Cod. | Descrizione | Description | Note | Q.ty | Model |
|----|-----------|-------------------------|------------------|-----------|------|--------|
| 45 | 1210 0448 | Guarnizione OR | O-Ring | Ø2x70 | 1 | |
| 46 | 0440 0028 | Cuscinetto Rulli Conici | Roller Bearing | Ø30x62x25 | 1 | |
| 47 | 0019 0122 | Anello Tenuta | Oil Seal | Ø22x32x7 | 3 | |
| 48 | 1210 0547 | Guarnizione OR | O-Ring | Ø2x37 | 3 | |
| 49 | 0009 0285 | Anello Portaguarnizione | Packing Retainer | Ø18 | 3 | 18/350 |
| | 0009 0283 | Anello Portaguarnizione | Packing Retainer | Ø22 | 3 | 30/200 |
| 50 | 1241 0074 | Guarnizione Tenuta | Packing | Ø18 | 3 | 18/350 |
| | 1241 0076 | Guarnizione Tenuta | Packing | Ø22 | 3 | 30/200 |
| 51 | 0009 0284 | Anello Portaguarnizione | Packing Retainer | Ø18 | 3 | 18/350 |
| | 0009 0282 | Anello Portaguarnizione | Packing Retainer | Ø22 | 3 | 30/200 |
| 52 | 1241 0073 | Guarnizione Tenuta | Packing | Ø18 | 3 | 18/350 |
| | 1241 0075 | Guarnizione Tenuta | Packing | Ø22 | 3 | 30/200 |

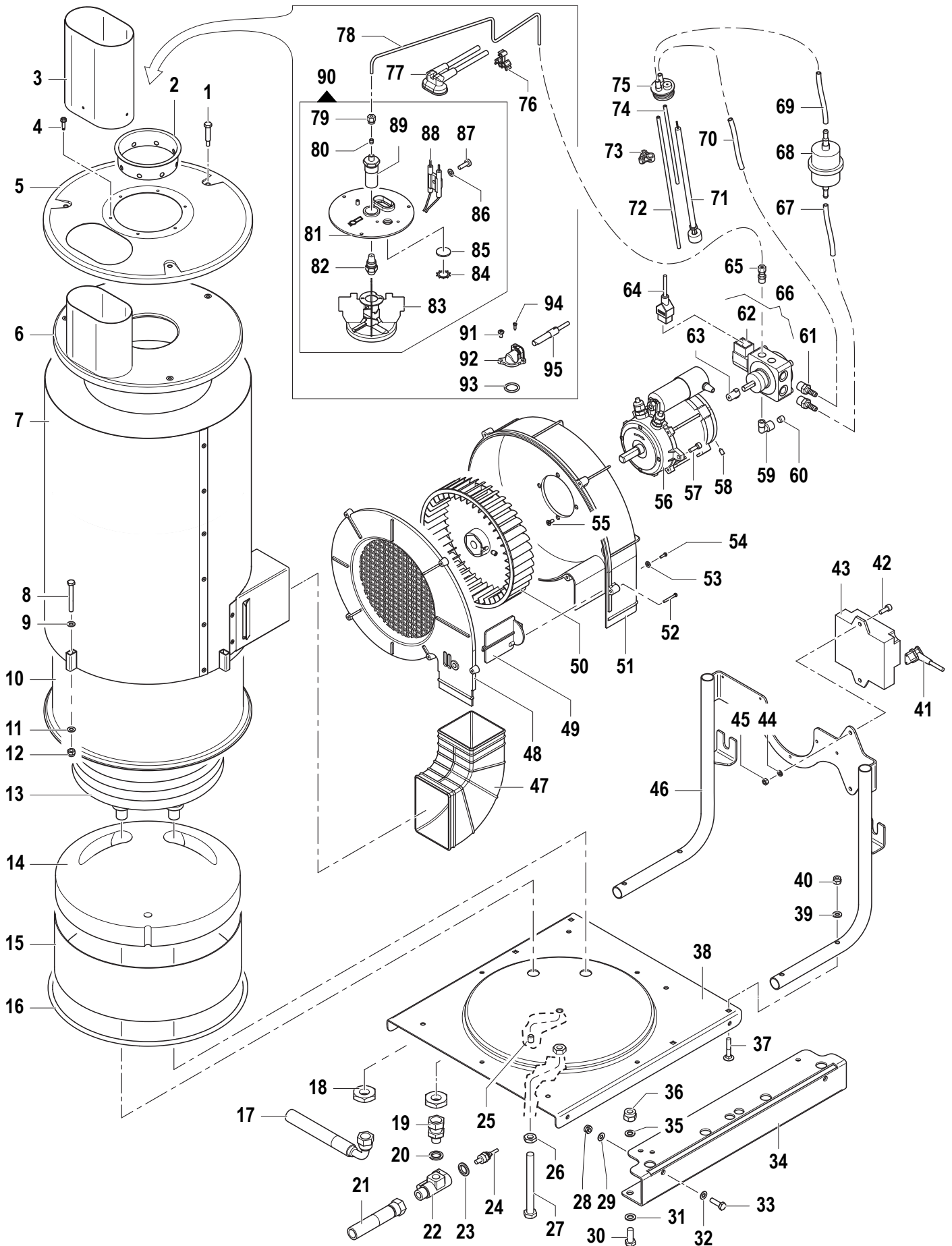
Kit Ricambi

Spare Parts Kit

| N° | Cod. | Descrizione | Description | Note | Q.ty | Model |
|-----|-----------|-------------------------|--------------------|------|------|--------|
| 100 | 5025 0020 | Kit Valvola Asp/Mandata | Complete Valve Kit | | 1 | 30/200 |
| 101 | 5019 0645 | Kit Guarnizioni Acqua | Water Seal Kit | Ø18 | 1 | 18/350 |
| | 5019 0646 | Kit Guarnizioni Acqua | Water Seal Kit | Ø22 | 1 | 30/200 |
| 102 | 2409 0116 | Kit Pistone | Piston Kit | Ø18 | 1 | 18/350 |
| | 2409 0114 | Kit Pistone | Piston Kit | Ø22 | 1 | 30/200 |
| 103 | 5019 0649 | Kit Guarnizioni Olio | Oil Seal Kit | | 1 | 18/350 |
| | 5019 0288 | Kit Guarnizioni Olio | Oil Seal Kit | | 1 | 30/200 |
| 104 | 5025 0021 | Kit Valvola Asp/Mandata | Complete Valve Kit | | 1 | 18/350 |



| N° | Cod. | Descrizione | Description | Note | Q.ty | Model |
|----|-----------|----------------------------|--------------------------|------------------------------|------|--------------------------------|
| 1 | 1817 0081 | Manopola | Knob | | 2 | |
| 2 | 0457 0054 | Etichetta Quadro Elettrico | Electrical Panel Sticker | | 1 | |
| 3 | 0402 0461 | Coperchio | Cover | | 1 | |
| 4 | 1201 0240 | Guarnizione | Gasket | Ø4 L=1080 | 1 | |
| 5 | 3043 0039 | Scheda Elettrica | Electronic Board | | 1 | |
| 6 | 3625 0031 | Vite | Screw | 3,5x9,5 | 4 | |
| 7 | 1012 0031 | Fusibile | Fuse | 5x20F 1,6A | 1 | |
| 8 | 0204 0064 | Boccola | Bushing-Seal | | 1 | |
| 9 | 2404 0176 | Staffa Potenziometro | Potentiometer Plate | | 1 | |
| 10 | 2441 0004 | Potenziometro Caldaia | Boiler Potentiometer | | 1 | |
| 11 | 1805 0055 | Morsetto Chiusura | End Wire Connector | | 1 | |
| 12 | 1805 0054 | Morsetto | Wire Connector | Blu / Blue | 1 | |
| 13 | 1805 0052 | Morsetto | Wire Connector | | 1 | |
| 14 | 1805 0052 | Morsetto | Wire Connector | | 1 | |
| 15 | 1805 0053 | Morsetto | Wire Connector | | 1 | |
| 16 | 1805 0053 | Morsetto | Wire Connector | | 1 | |
| 17 | 1012 0003 | Fusibile | Fuse | 5x20F 2A 250V | 1 | |
| 18 | 3226 0084 | Trasformatore B.T. | L.T. Transformer | 230-400V/24V | 1 | |
| 19 | 3001 0550 | Scatola Elettrica | Electrical Box | | 1 | |
| 20 | 0456 0447 | Cavo Alimentazione | Electrical Cable | 4Gx2,5mm ² L=6600 | 1 | |
| 21 | 3607 0234 | Vite | Screw | M5x30 | 1 | |
| 22 | 2811 0037 | Rondella | Washer | Ø5,3x10x1 | 1 | |
| 23 | 0604 0061 | Dado | Nut | M5x5 | 3 | |
| 24 | 2819 0009 | Rondella Elastica | Spring Washer | | 3 | |
| 25 | 2434 0056 | Pressacavo Cavo Elettr. | Cable Holder | M20x1,5 | 2 | 15/200-21/150 21/200-16/250 |
| | 2434 0062 | Pressacavo Cavo Elettr. | Cable Holder | M25x1,5 | 2 | 21/250-18/350 30/200 |
| 26 | 2825 0093 | Adattatore | Adapter | M-F M20x1,5- M25x1,5 | 2 | 21/250-18/350 30/200 |
| 27 | 3605 0103 | Vite | Screw | 4x20 | 4 | |
| | 2821 0043 | Relé Termico | Thermic Relay | 13-18 Amp | 1 | 15/200-21/150 21/200-16/250 |
| | 2821 0045 | Relé Termico | Thermic Relay | 20-25 Amp | 1 | 21/250-18/350 30/200 |
| 29 | 3225 0078 | Teleruttore | Remote Control Switch | 25A 24V | 1 | |
| 30 | 1410 0147 | Interruttore | Switch | | 1 | |
| 31 | 0204 0041 | Boccola | Bushing-Seal | | 1 | |
| 32 | 1610 1136 | Schema Elettrico | Electric Diagram | TRF | 1 | |
| | 1610 1780 | Schema Elettrico | Electric Diagram | TRF | 1 | Solo/Only 18/300-30/200 |
| 33 | 3623 0007 | Vite | Screw | M4x10 | 2 | |
| 34 | 3623 0007 | Vite | Screw | M4x10 | 2 | |

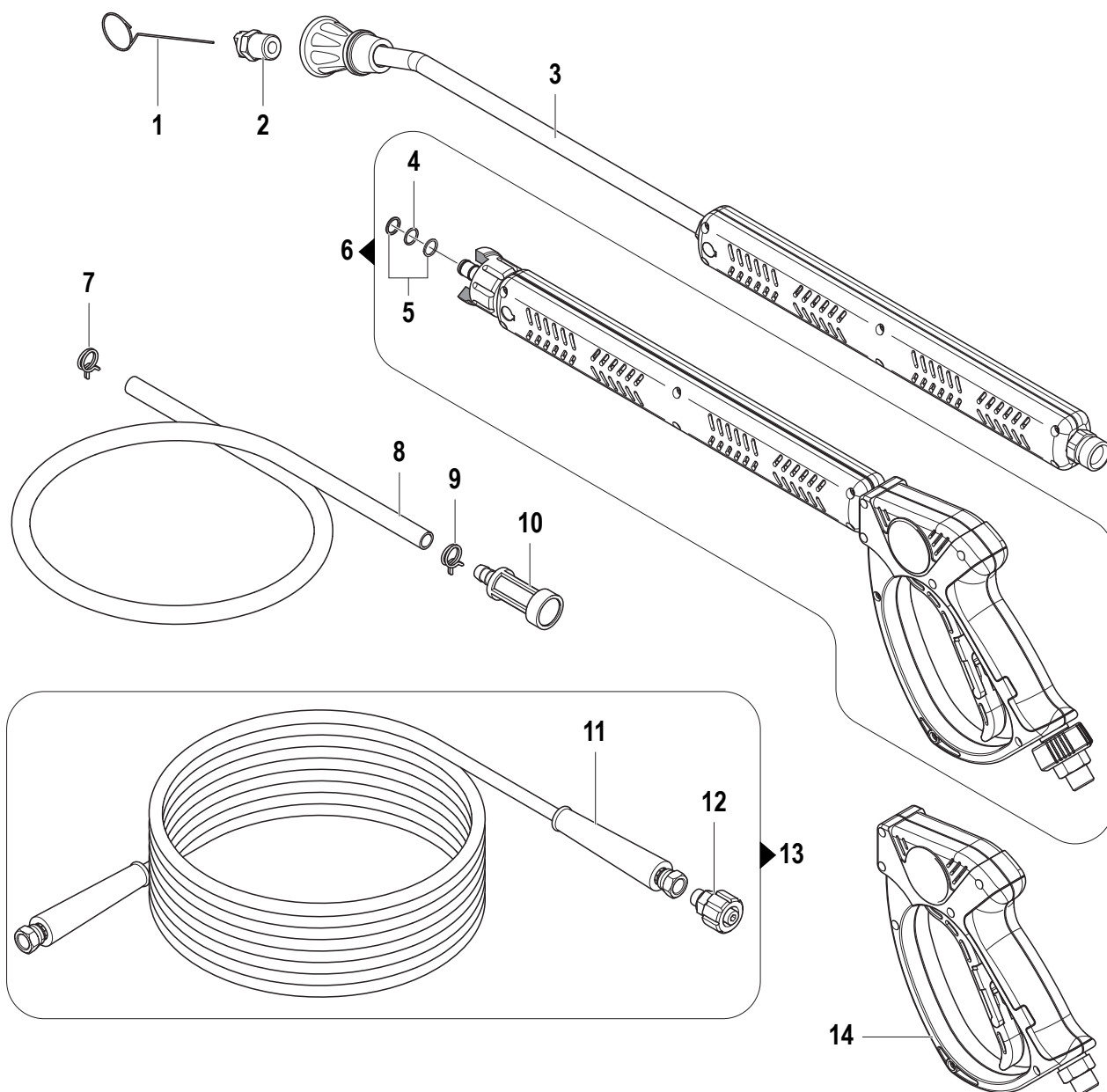




Boiler

| N° | Cod. | Descrizione | Description | Note | Q.ty | Model |
|----|-----------|-------------------------|------------------------|-------------------|------|----------------------------|
| 1 | 3605 0150 | Vite | Screw | 4,2x13 | 3 | |
| 2 | 0218 0020 | Boccaglio | Air Nozzle | | 1 | |
| 3 | 0466 0069 | Convogliatore | Conveyor | | 1 | |
| 4 | 3625 0095 | Vite | Screw | 4,2x13 | 3 | |
| 5 | 0402 0500 | Coperchio Superiore | Upper Cover | | 1 | |
| 6 | 0402 0501 | Coperchio Inferiore | Lower Cover | | 1 | |
| 7 | 0424 0529 | Corpo Caldaia | Boiler Body | | 1 | Solo/Only 15/200-16/250 |
| | 0424 0527 | Corpo Caldaia | Boiler Body | | 1 | |
| 8 | 3607 0243 | Vite | Screw | M6x50 | 4 | |
| 9 | 2811 0097 | Rondella | Washer | Ø6,5x18x1,5 | 4 | |
| 10 | 0424 0536 | Corpo Caldaia Interno | Internal Boiler Body | | 1 | Solo/Only 15/200-16/250 |
| | 0424 0537 | Corpo Caldaia Interno | Internal Boiler Body | | 1 | |
| 11 | 2811 0097 | Rondella | Washer | Ø6,5x18x1,5 | 4 | |
| 12 | 0604 0167 | Dado | Nut | M6 | 4 | |
| 13 | 3044 0026 | Serpentina | Coil | | 1 | Solo/Only 15/200-16/250 |
| | 3044 0017 | Serpentina | Coil | | 1 | |
| 14 | 2822 0017 | Refrattario | Refractory Pad | H=35 | 1 | Solo/Only 15/200-16/250 |
| | 2822 0016 | Refrattario | Refractory Pad | H=49 | 1 | |
| 15 | 0009 0245 | Corpo Inferiore | Bottom Body | Ø286x283 | 1 | |
| 16 | 1210 0712 | Guarnizione Caldaia | Boiler Gasket | Ø6,99x291,5 | 1 | |
| 17 | 3208 0920 | Tubo | Hose | R2 3/8 L=550 | 1 | |
| 18 | 1227 0035 | Ghiera Fiss. Serpentina | Coil-Lock Nut | G3/8"x8 | 2 | |
| 19 | 0011 0006 | Adattatore | Adapter | M-F G1/4- 3/8" | 1 | |
| 20 | 1209 0097 | Rondella | Washer | 1/4" | 1 | |
| 21 | 3208 1303 | Tubo | Hose | R2 3/8 L=367 | 1 | |
| 22 | 0424 0377 | Raccordo | Coupling | G1/4" F | 1 | |
| 23 | 1209 0097 | Rondella | Washer | 1/4" | 1 | |
| 24 | 3228 0022 | Kit Sensore Termostato | Thermostat Feeler Kit | | 1 | |
| 25 | 3622 0011 | Vite | Screw | M8x10 | 1 | |
| 26 | 0604 0177 | Dado | Nut | M10 | 1 | |
| 27 | 3607 0197 | Vite | Screw | M10x100 | 1 | Solo/Only 15/200-16/250 |
| | 3607 0014 | Vite | Screw | M10x120 | 1 | |
| 28 | 0604 0167 | Dado | Nut | M6 | 4 | |
| 29 | 2811 0125 | Rondella | Washer | Ø6,4x12x1,6 | 4 | |
| 30 | 3607 0248 | Vite | Screw | M8x20 | 4 | |
| 31 | 2811 0108 | Rondella | Washer | Ø8,5x15x1,6 | 4 | |
| 32 | 2811 0125 | Rondella | Washer | Ø6,4x12x1,6 | 4 | |
| 33 | 3607 0098 | Vite | Screw | M6x20 | 4 | |
| 34 | 3002 0859 | Supporto Caldaia | Boiler Support | | 2 | |
| 35 | 2811 0108 | Rondella | Washer | Ø8,5x15x1,6 | 4 | |
| 36 | 0604 0158 | Dado | Nut | M8 | 4 | |
| 37 | 3605 0164 | Vite | Screw | M6x35 | 4 | |
| 38 | 3206 0336 | Telaio | Frame | | 1 | |
| 39 | 2811 0097 | Rondella | Washer | Ø6,5x18x1,5 | 4 | |
| 40 | 0604 0011 | Dado | Nut | M6 | 4 | |
| 41 | 0456 0451 | Cavo Trasformatore A.T. | H.T. Transformer Cable | | 1 | |
| 42 | 3609 0123 | Vite | Screw | M5x14 | 2 | |
| 43 | 3226 0097 | Trasformatore A.T. | H.T. Transformer | 230Vac | 1 | |
| 44 | 2811 0129 | Rondella | Washer | Ø5,3x15x1,2 | 2 | |
| 45 | 0604 0103 | Dado | Nut | M5 | 2 | |
| 46 | 1803 0112 | Supporto ventilatore | Fan Support | | 1 | |
| 47 | 1810 0041 | Manicotto | Sleeve | | 1 | |
| 48 | 0466 0052 | Coperchio Convogliatore | Conveyor Cover | | 1 | |
| 49 | 0466 0026 | Farfalla Aria | Fly Valve | | 1 | |
| 50 | 3632 0093 | Kit Ventola | Fan Kit | Ø200x45 | 1 | |
| 51 | 0404 0031 | Convogliatore | Conveyor | | 1 | |
| 52 | 3625 0028 | Vite | Screw | 3,5x25 | 5 | |
| 53 | 2811 0006 | Rondella | Washer | Ø4,3x9 | 1 | |
| 54 | 3625 0049 | Vite | Screw | 3,5x9,5 | 1 | |
| 55 | 3608 0005 | Vite | Screw | M4x10 | 4 | |
| 56 | 1831 0555 | Motore Elettrico | Electric Motor | | 1 | |
| 57 | 3609 0123 | Vite | Screw | M5x14 | 3 | |
| 58 | 3622 0029 | Vite | Screw | M5x10 | 3 | |
| 59 | 1211 0015 | Raccordo Curvo | Elbow Coupling | M-F G1/8" | 1 | |
| 60 | 3200 0017 | Tappo | Cap | G1/8"x8 | 1 | |
| 61 | 2803 0570 | Raccordo p.g. | Coupling | G1/4" | 2 | |

| N° | Cod. | Descrizione | Description | Note | Q.ty | Model |
|----|-----------|----------------------------|-----------------------|--------------|------|----------------------------|
| 62 | 0217 0012 | Bobina | Coil | | 1 | |
| 63 | 1221 0061 | Giunto | Coupling | | 1 | |
| 64 | 0430 0057 | Connettore | Connector | | 1 | |
| 65 | 2803 0322 | Raccordo | Coupling | G1/8" | 1 | |
| 66 | 2422 0011 | Pompa Gasolio | Diesel Pump | | 1 | |
| 67 | 3208 0892 | Tubo Gasolio | Diesel Hose | Ø6x12 L=90 | 1 | |
| 68 | 1002 0120 | Filtro Gasolio | Diesel Filter | 15 µm | 1 | |
| 69 | 3208 1297 | Tubo Gasolio | Diesel Hose | Ø6x12 L=780 | 1 | |
| 70 | 3208 0879 | Tubo Gasolio | Diesel Hose | Ø6x12 L=900 | 1 | |
| 71 | 3042 0036 | Kit Livello Gasolio | Fuel Level Sensor Kit | | 1 | |
| 72 | 3208 1270 | Tubo Aspirazione | Suction Hose | Ø4x6 L=140 | 1 | |
| 73 | 1202 0078 | Gancio per Tubi | Tubes Hook | | 2 | |
| 74 | 3208 1202 | Tubo Mandata | Delivery Hose | Ø4x6 L= 235 | 1 | |
| 75 | 3002 0768 | Supporto Livello Gasolio | Diesel Level Support | | 1 | |
| 76 | 1202 0052 | Gancio | Hook | | 1 | |
| 77 | 0535 0080 | Kit Cavi A.T. | H.T. Cable Kit | L=600 | 1 | |
| 78 | 3208 1271 | Tubo Gasolio in Rame | Copper Diesel Hose | Ø4 | 1 | Solo/Only 15/200-16/250 |
| | 3208 1260 | Tubo Gasolio in Rame | Copper Diesel Hose | Ø4 | 1 | |
| 79 | 0600 0076 | Raccordo | Coupling | M8x1 | 1 | |
| 80 | 0204 0097 | Ogiva | Ogive | | 1 | |
| 81 | 0602 0079 | Disco Porta Elettrodi | Elettrodi Holder Disc | | 1 | |
| 82 | 3400 0759 | Ugello Gasolio | Diesel Nozzle | 1,75 - 60°SD | 1 | Solo/Only 15/200-16/250 |
| | 3400 0748 | Ugello Gasolio | Diesel Nozzle | 2 - 60°SD | 1 | |
| 83 | 0466 0058 | Disco Turbolenza Aria | Air Turbulence Ring | | 1 | |
| 84 | 3019 0035 | Seeger Esterno | Outer Seeger | Z1 Ø22 | 1 | |
| 85 | 3200 0074 | Tappo | Plug | Ø21,75x2 | 1 | |
| 86 | 2819 0034 | Rondella | Washer | Ø5,3x11x05 | 1 | |
| 87 | 3623 0042 | Vite | Screw | M5x16 | 1 | |
| 88 | 0805 0033 | Elettrodo Bifilare | Bifilar Electrode | | 1 | |
| 89 | 2427 0004 | Porta Ugello | Nozzle Holder | | 1 | |
| 90 | 0335 0050 | Kit Bruciatore | Complete Burner Kit | | 1 | Solo/Only 15/200-16/250 |
| | 0335 0046 | Kit Bruciatore | Complete Burner Kit | | 1 | |
| 91 | 3625 0019 | Vite | Screw | M4x12 | 2 | |
| 92 | 0424 0511 | Corpo Porta Fotoresistenza | Photoresistor Body | | 1 | |
| 93 | 1210 0059 | Guarnizione OR | O-Ring | Ø2,62x17,13 | 1 | |
| 94 | 3625 0019 | Vite | Screw | 3x10 | 1 | |
| 95 | 2828 0020 | Fotoresistenza | Photoresistor | | 1 | |



| N° | Cod. | Descrizione | Description | Note | Qty | Model | |
|-----------|-----------|--------------------------------------|---------------------------------------|---------------------------------|-------------------------|------------------|------------------|
| 1 | 0455 0013 | Spillo Pulizia Ugello | Nozzle Cleaning Pin | | 1 | | |
| 2 | 3400 0703 | Ugello Acqua | Water Nozzle | 25 045 1/4 Meg (Blister COMET) | 1 | 15/200 | |
| | 3400 0711 | Ugello Acqua | Water Nozzle | 25 07 1/4 Meg (Blister COMET) | 1 | 21/150 | |
| | 3400 0710 | Ugello Acqua | Water Nozzle | 25 065 1/4 Meg (Blister COMET) | 1 | 21/200 | |
| | 3400 0702 | Ugello Acqua | Water Nozzle | 25 04 1/4 Meg (Blister COMET) | 1 | 16/250 | |
| | 3400 0707 | Ugello Acqua | Water Nozzle | 25 055 1/4 Meg (Blister COMET) | 1 | 21/250 | |
| | 3400 0690 | Ugello Acqua | Water Nozzle | 15 04 1/4 Meg (Blister COMET) | 1 | 18/350 | |
| | 3400 0523 | Ugello Acqua | Water Nozzle | 25 10 1/4 Meg (Blister COMET) | 1 | 30/200 | |
| | 3 | 3301 0974 | Kit Tubo Lancia | Lance Kit | L=760mm (Blister COMET) | 1 | |
| | | 3301 1488 | Kit Tubo Lancia + Attacco Rapido AR36 | Lance Kit + Quick Coupling AR36 | L=900mm | 1 | Solo/Only 18/350 |
| 3301 1395 | | Kit Tubo Lancia + Attacco Rapido AR4 | Lance Kit + Quick Coupling AR4 | L=900mm | 1 | Solo/Only 30/200 | |
| 4 | 0009 0116 | Anello BK | BK ring | Ø2,62x9,3 | 2 | | |
| 5 | 1210 0084 | Guarnizione OR Viton® | Viton® O-Ring | Ø2,62x9,13 | 2 | | |
| 6 | 2410 0114 | Pistola | Spray gun | n°2 O-rings (Blister COMET) | 1 | | |

| N° | Cod. | Descrizione | Description | Note | Qty | Model |
|----|-----------|-----------------------------------|-------------------------------------|-------------------------------|-----|------------------------------------|
| 7 | 1003 0059 | Fascetta | Hose Clamp | | 1 | |
| 8 | 3208 0832 | Tubo Detergente | Detergent Hose | Ø7x10 L=2400 | 1 | |
| 9 | 1003 0059 | Fascetta | Hose Clamp | | 1 | |
| 10 | 1002 0055 | Filtro Detergente | Detergent Filter | | 1 | |
| 11 | 3208 0745 | Tubo Alta Pressione | H.P. Hose | R2 5/16 L=10m | 1 | 15/200-16/250 |
| | 3208 0919 | Tubo Alta Pressione | H.P. Hose | R2 3/8 L=10m | 1 | 21/150-21/200 21/250-18/350 30/200 |
| 12 | 1407 0027 | Raccordo | Coupling | M22x1,5-G3/8 | 1 | |
| | 2803 0687 | Raccordo | Coupling | M24x1,5-G3/8 | 1 | Solo/Only 18/350 |
| 13 | 3301 0776 | Kit Tubo Alta Pressione | H.P. Hose Kit | R2 5/16 L=10m (Blister COMET) | 1 | 15/200-16/250 |
| | 3301 0944 | Kit Tubo Alta Pressione | H.P. Hose Kit | R2 3/8 L=10m (Blister COMET) | 1 | 21/150-21/200 21/250-30/200 |
| | 3301 1467 | Kit Tubo Alta Pressione | H.P. Hose Kit | R2 3/8 L=10m (Blister COMET) | 1 | 18/350 |
| 14 | 2410 0234 | Kit Pistola + Attacco Rapido AR36 | Spray gun Kit + Quick Coupling AR36 | | 1 | Solo/Only 18/350 |
| | 2410 0235 | Kit Pistola + Attacco Rapido AR4 | Spray gun Kit + Quick Coupling AR4 | | 1 | Solo/Only 30/200 |