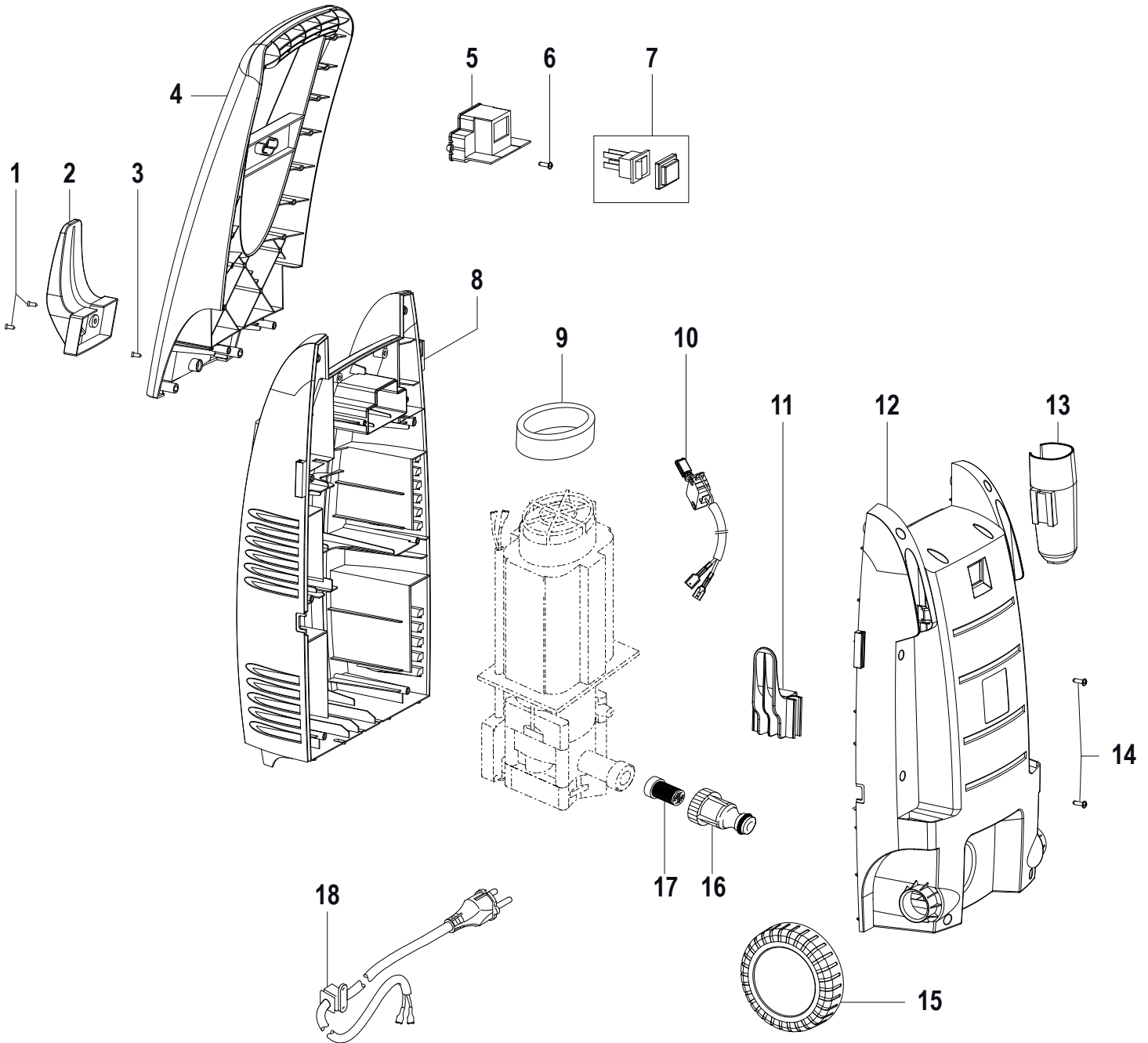


KR 1100

230V/50Hz - 115V/60Hz

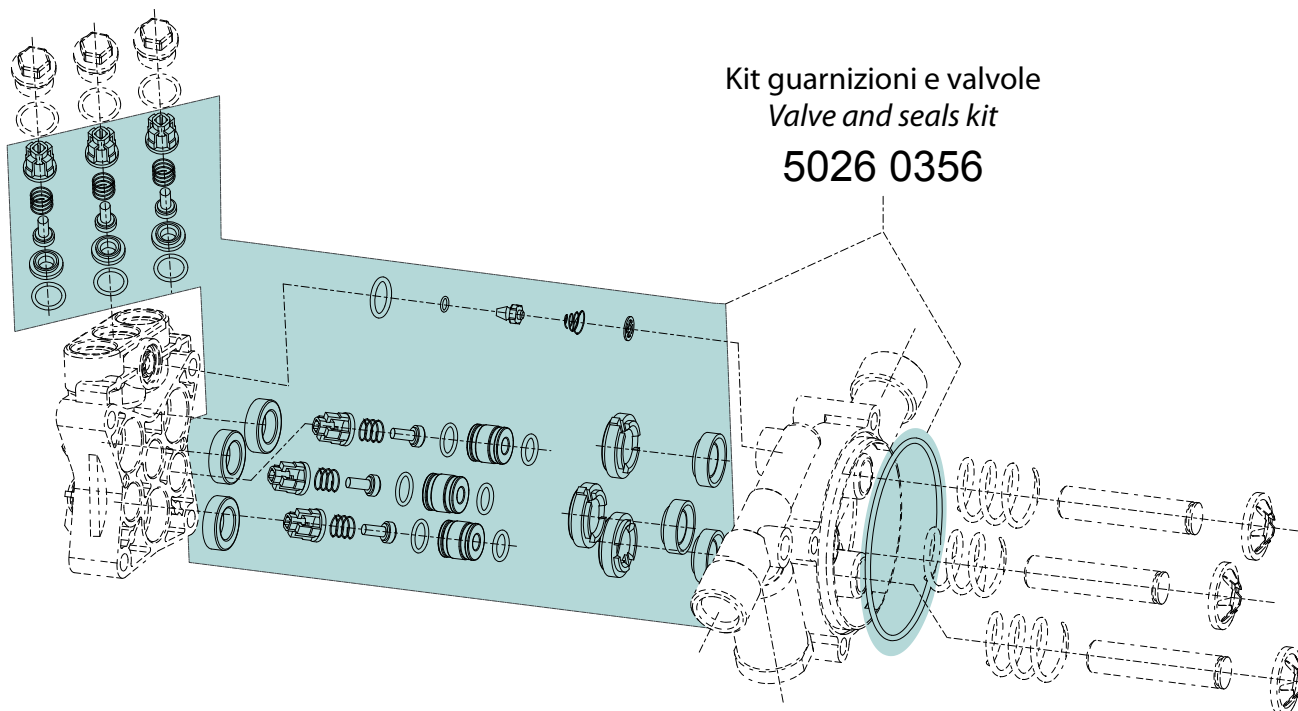
Compressivo Macchina

Frame and Chassy (Assembly)



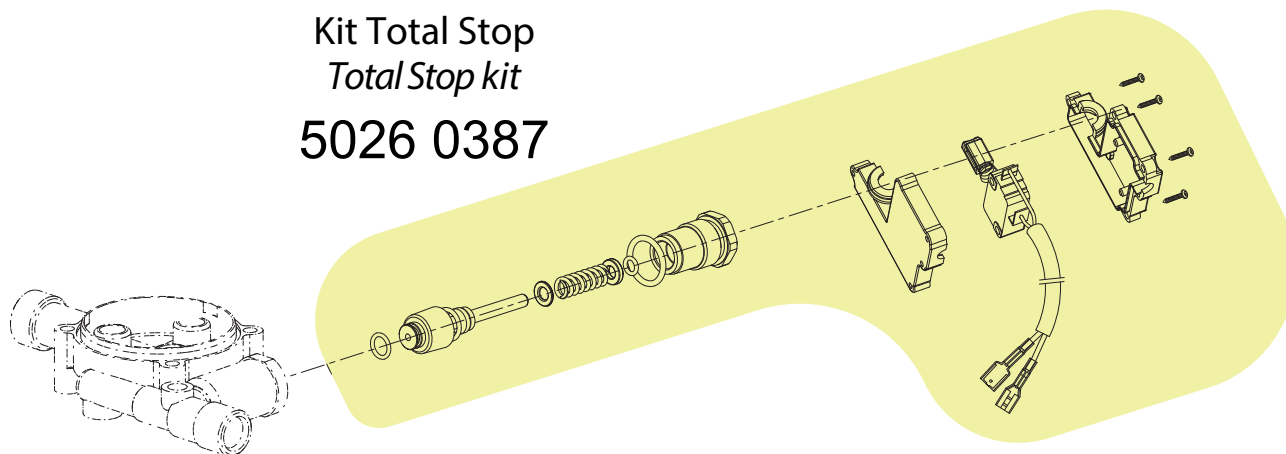
| N° | Cod. | Descrizione | Description | Note | Q.ty | Model |
|----|-----------|-----------------------|-------------------|----------------|------|-------|
| 1 | 3605 0148 | Vite | Screw | 5x16 | 2 | |
| 2 | 3002 0744 | Supporto Tubo A.P. | Support H.P. Hose | | 1 | |
| 3 | 3605 0148 | Vite | Screw | 5x16 | 1 | |
| 4 | 1411 0053 | Manico | Handle | | 1 | |
| 5 | 3001 0549 | Scatola Elettrica | Electrical Box | | 1 | |
| 6 | 3605 0149 | Vite | Screw | 3x14 | 2 | |
| 7 | 1410 0131 | Interruttore | Switch | | 1 | |
| 8 | 0477 0309 | Carenatura Frontale | Front Cover | Grigio / Grey | 1 | |
| 8 | 0477 0310 | Carenatura Frontale | Front Cover | Azzurro / Cyan | 1 | |
| 9 | 1002 0229 | Filtro Fonoassorbente | Soudproof Filter | | 1 | |

| N° | Cod. | Descrizione | Description | Note | Q.ty | Model |
|----|-----------|--------------------------|--------------------------|------|------|-------|
| 10 | 1002 0228 | Filtro Antidisturbi | Interference Suppressor | | 1 | |
| 11 | 3002 0742 | Supporto Cavo Elettrico | Support Electrical Cable | | 1 | |
| 12 | 0477 0311 | Telaio Inferiore | Lower Frame | | 1 | |
| 13 | 3002 0743 | Supporto Accessori | Accessories Support | | 1 | |
| 14 | 3605 0148 | Vite | Screw | 5x16 | 10 | |
| 15 | 2810 0104 | Ruota e Copriruota | Wheel and Cover | | 2 | |
| 16 | 2803 0617 | Kit Raccordo Aspirazione | Suction Coupling Kit | | 1 | |
| 17 | 1002 0227 | Filtro Aspirazione | Scuction Filter | | 1 | |
| 18 | 2434 0073 | Pressacavo | Cable Holder | | 1 | |

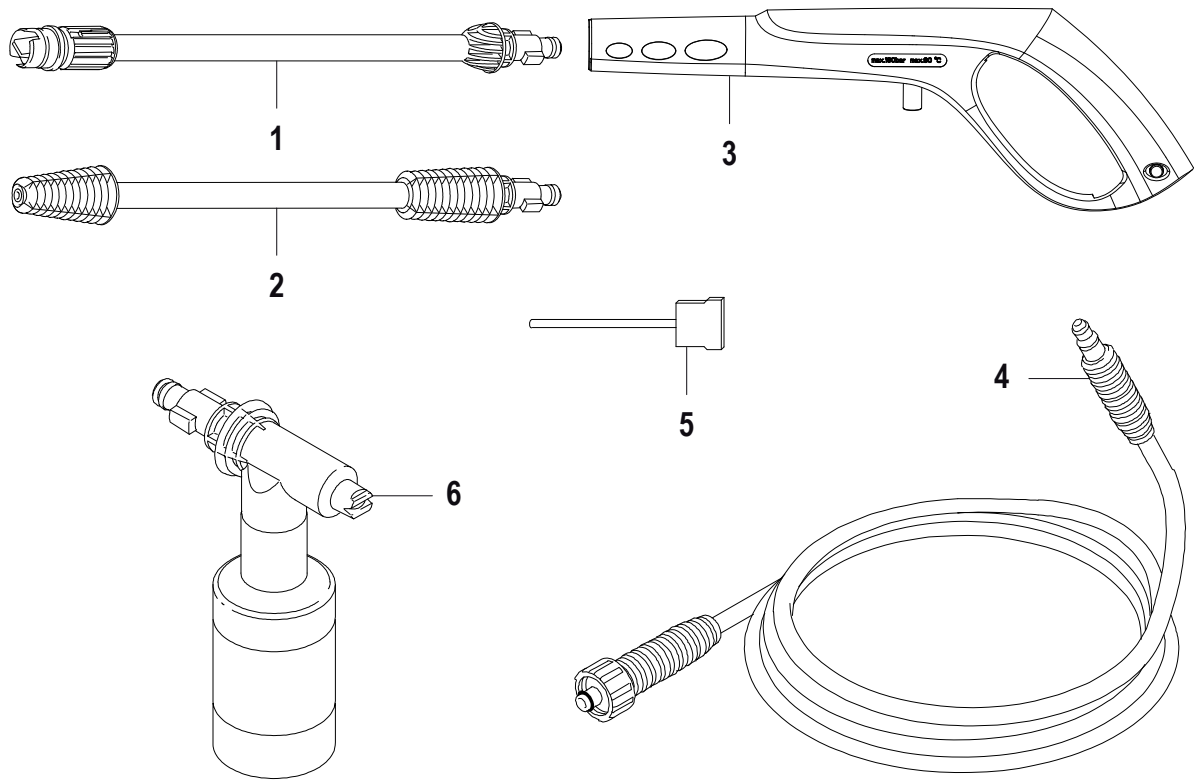


Kit guarnizioni e valvole
Valve and seals kit
5026 0356

Kit Total Stop
Total Stop kit
5026 0387



Kit Spazzole Motore Elettrico
Electric Motor Brush Kit
5027 0047



| N° | Cod. | Descrizione | Description | Note | Qty | Model |
|----|-----------|--------------------------|----------------------------------|------------|-----|-------|
| 1 | 3301 1209 | Testina Getto Regolabile | Adjustable Lance (Blister COMET) | | 1 | |
| 2 | 3301 1211 | Testina Ugello Rotante | Rotojet Lance (Blister COMET) | | 1 | |
| 3 | 2410 0170 | Pistola | Spray Gun (Blister COMET) | | 1 | |
| 4 | 3301 1207 | Tubo A.P. | H.P. Hose (Blister COMET) | 1/4" - 5mt | 1 | |

| N° | Cod. | Descrizione | Description | Note | Qty | Model |
|----|-----------|-----------------------|--------------------------------|------|-----|-------|
| 5 | 0455 0019 | Spillo Pulizia Ugello | Nozzle Cleaning Pin | | 1 | |
| 6 | 3301 1213 | Lancia Schiumogena | Foam Lance Kit (Blister COMET) | | 1 | |